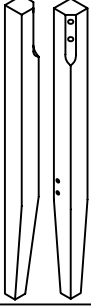


ASSEMBLY INSTRUCTION

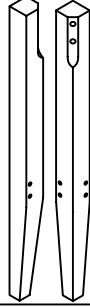
#14-1303

#22065:Front legs (left)
#22066:Front legs (Right)



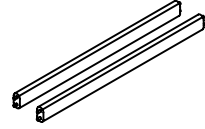
1 x #22065
1 x #22066

#22067:Back legs(left)
#22068:Back legs(Right)



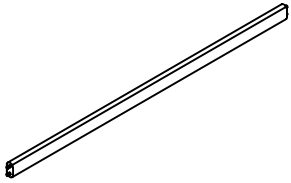
1 x #22067
1 x #22068

#22069:Short cross member



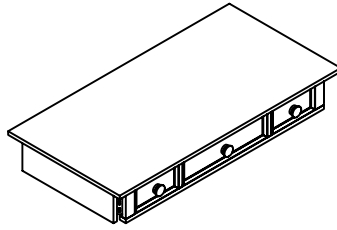
2 x #22069

#22070:Long cross member



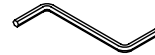
1 x #22070

#22071:Desk



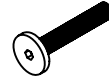
1 x #22071

#20018: Hex wrench 5mm

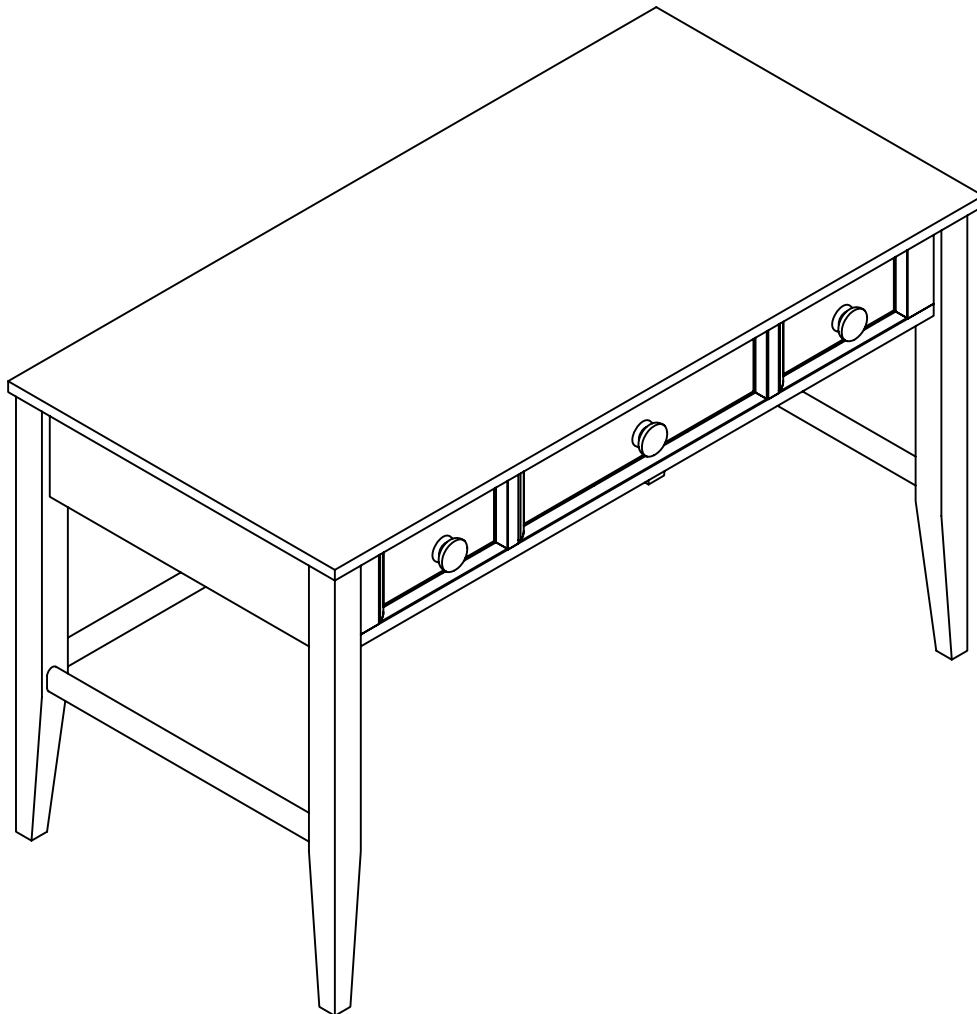


1 x #20018

#22097: M8x35mm hex bolt

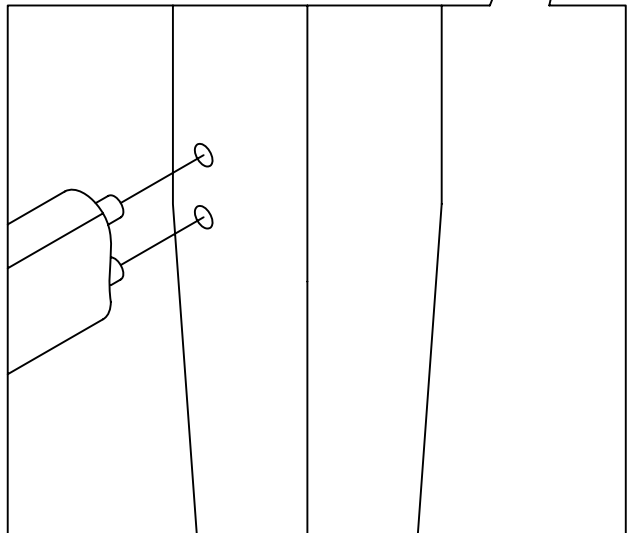
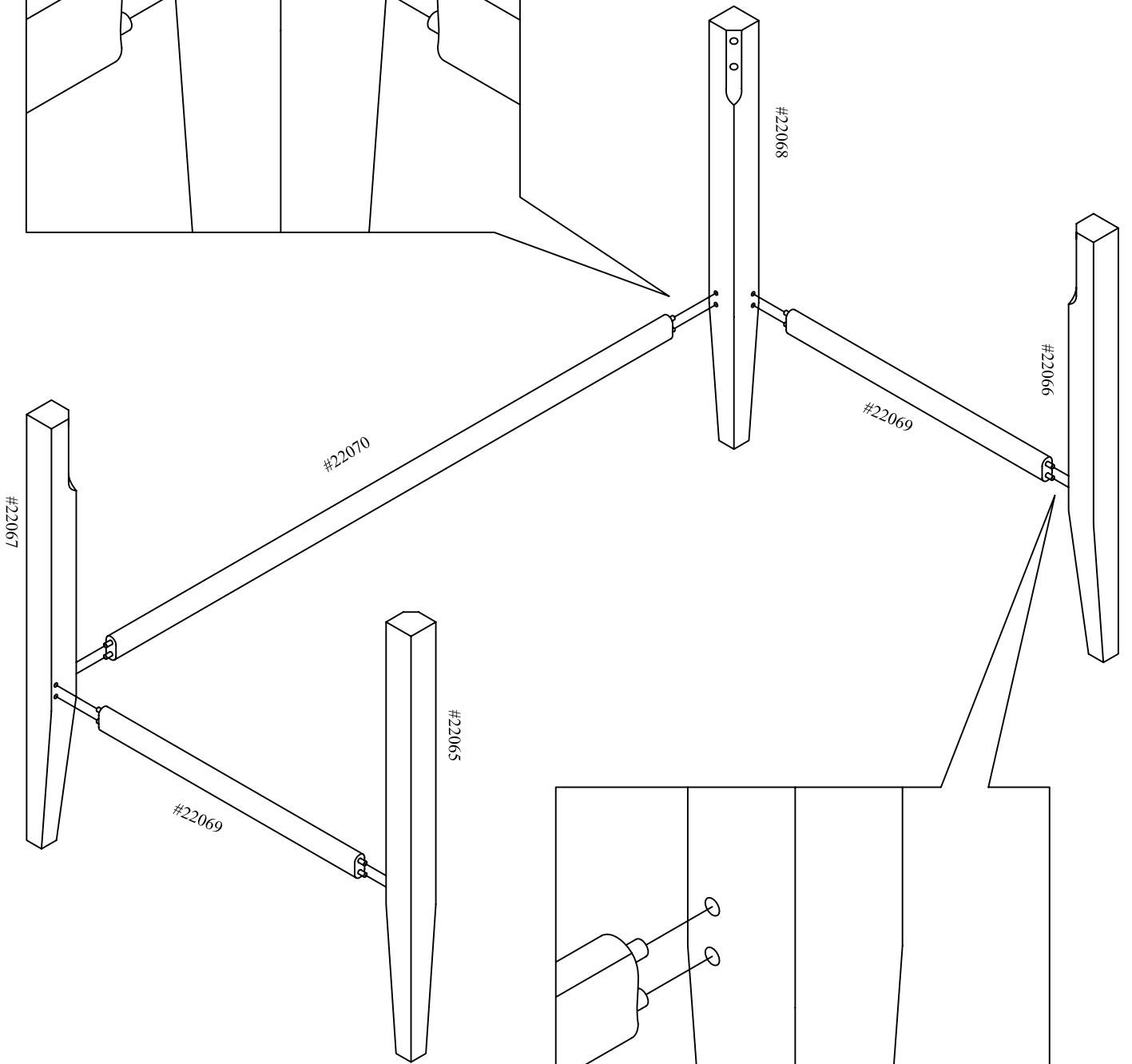
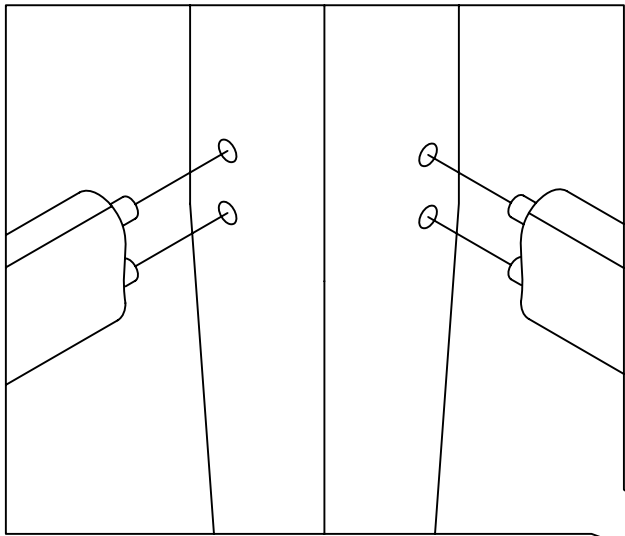


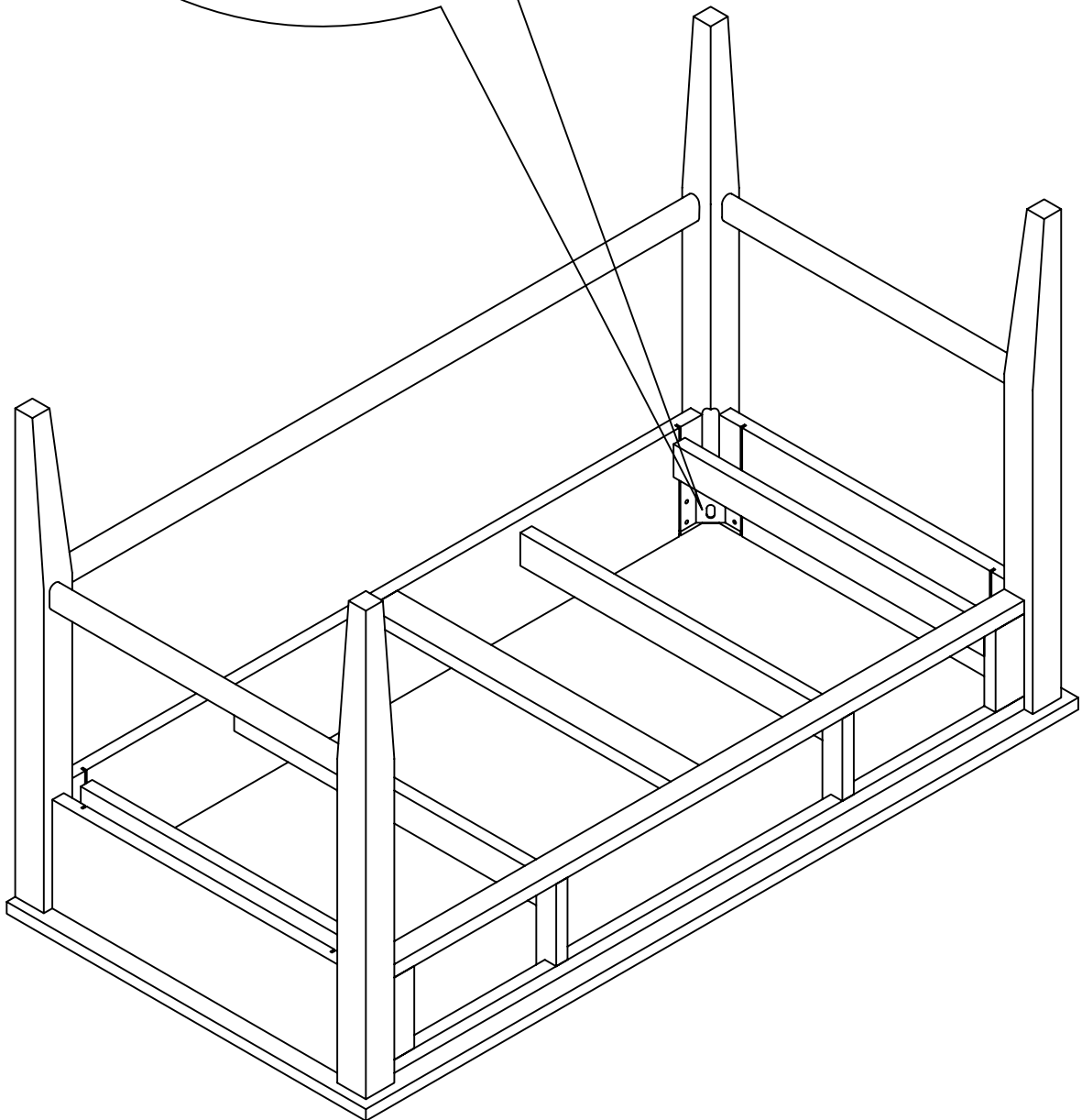
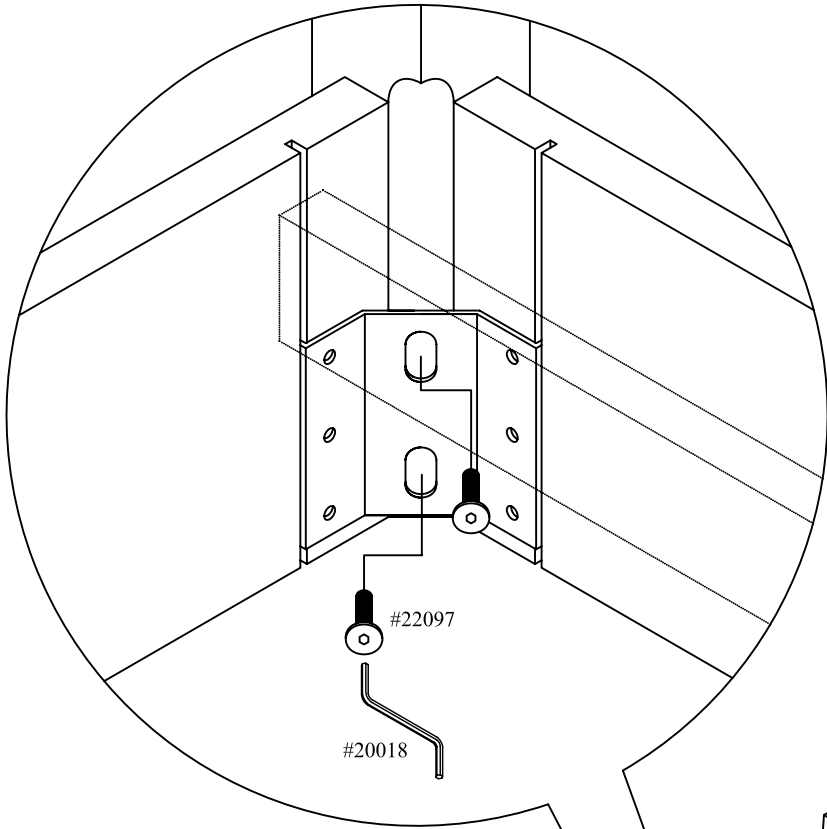
8 x #22097

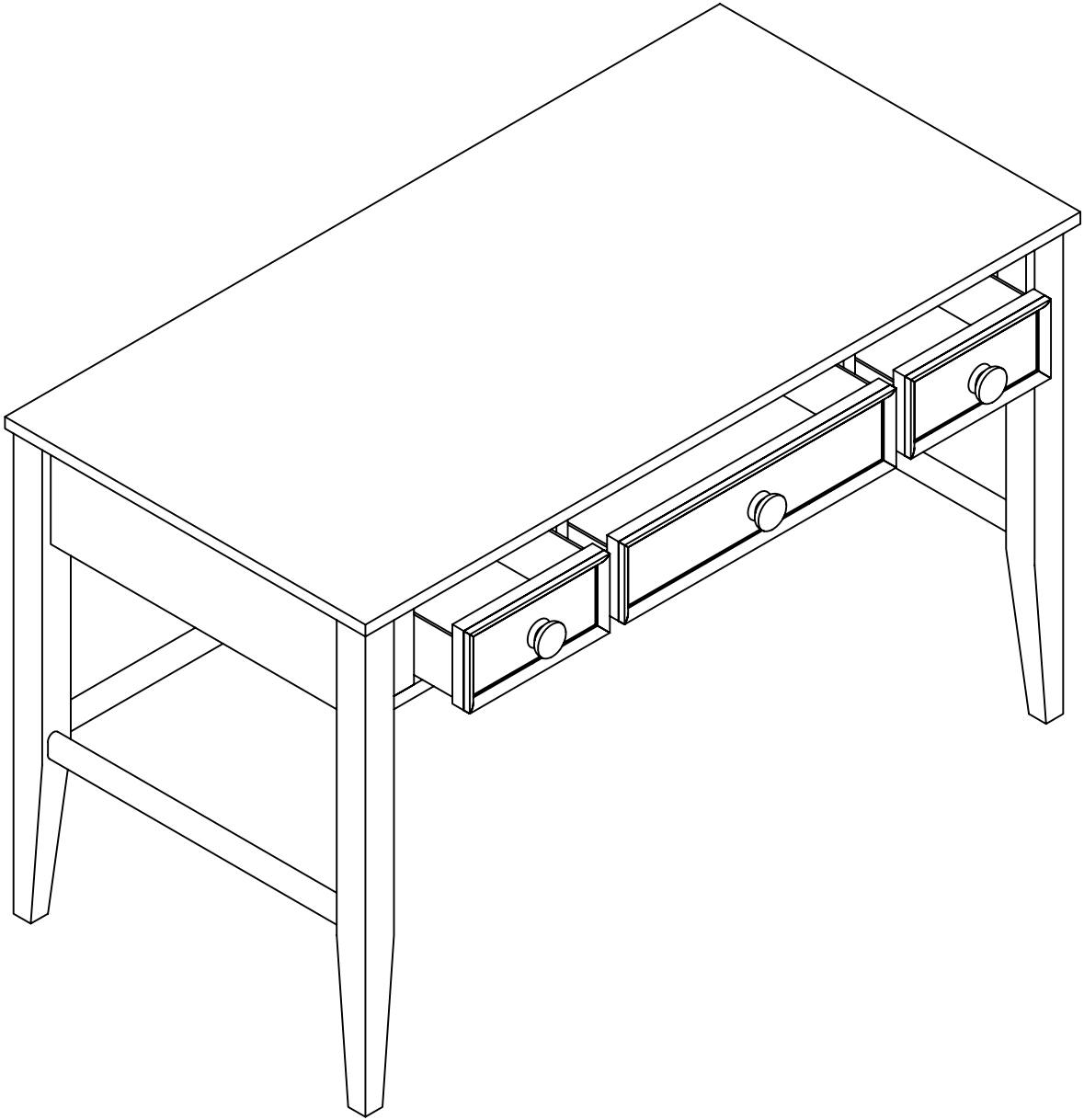


Maxwood Furniture

578 EAST BAY St., SUITE C, CHARLESTON SC., 29403,USA







Replacement Parts:

Replacement Parts may be obtained from any of our dealers.

Size of Mattress:

This bed is designed to use a mattress 74" – 75" (188cm – 191cm) long and 37½" – 38½" (95cm – 98cm) wide (Standard Twin size).

IMPORTANT:

Always remember to check and tighten loose bolts or hardware every month, as these may loosen with use over time.