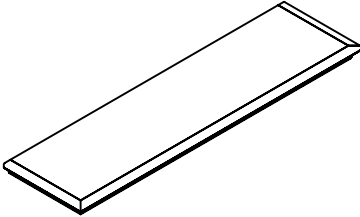
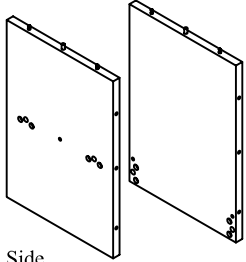
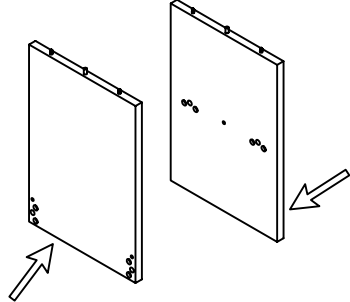
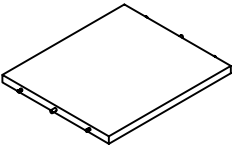
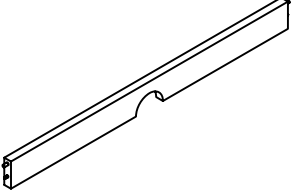
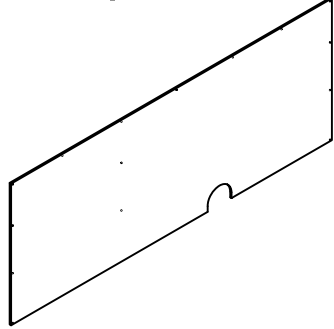
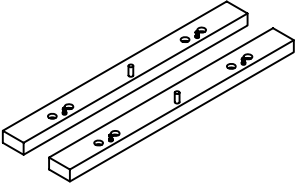
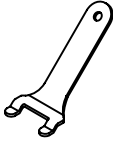
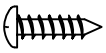
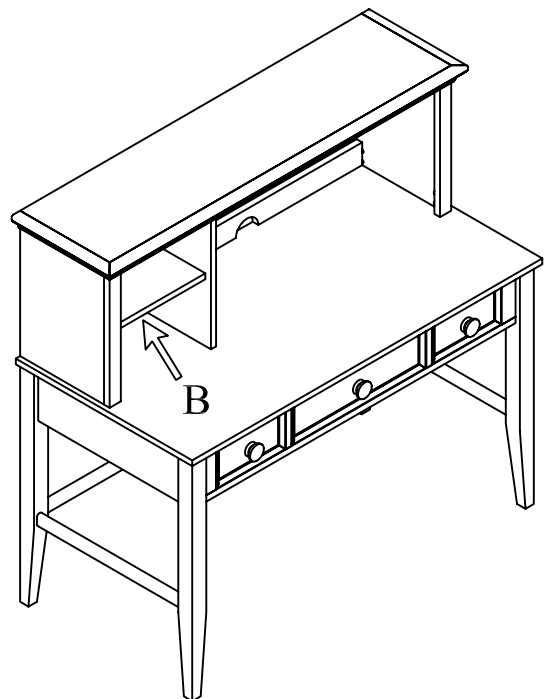
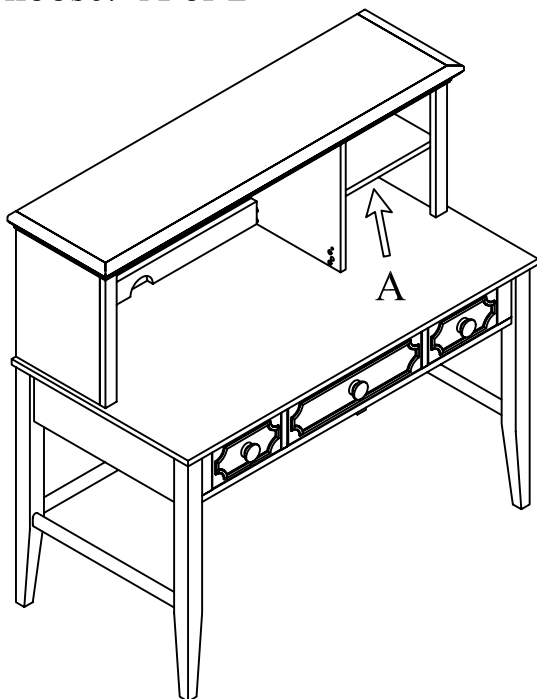


# ASSEMBLY INSTRUCTION

## #14-1302

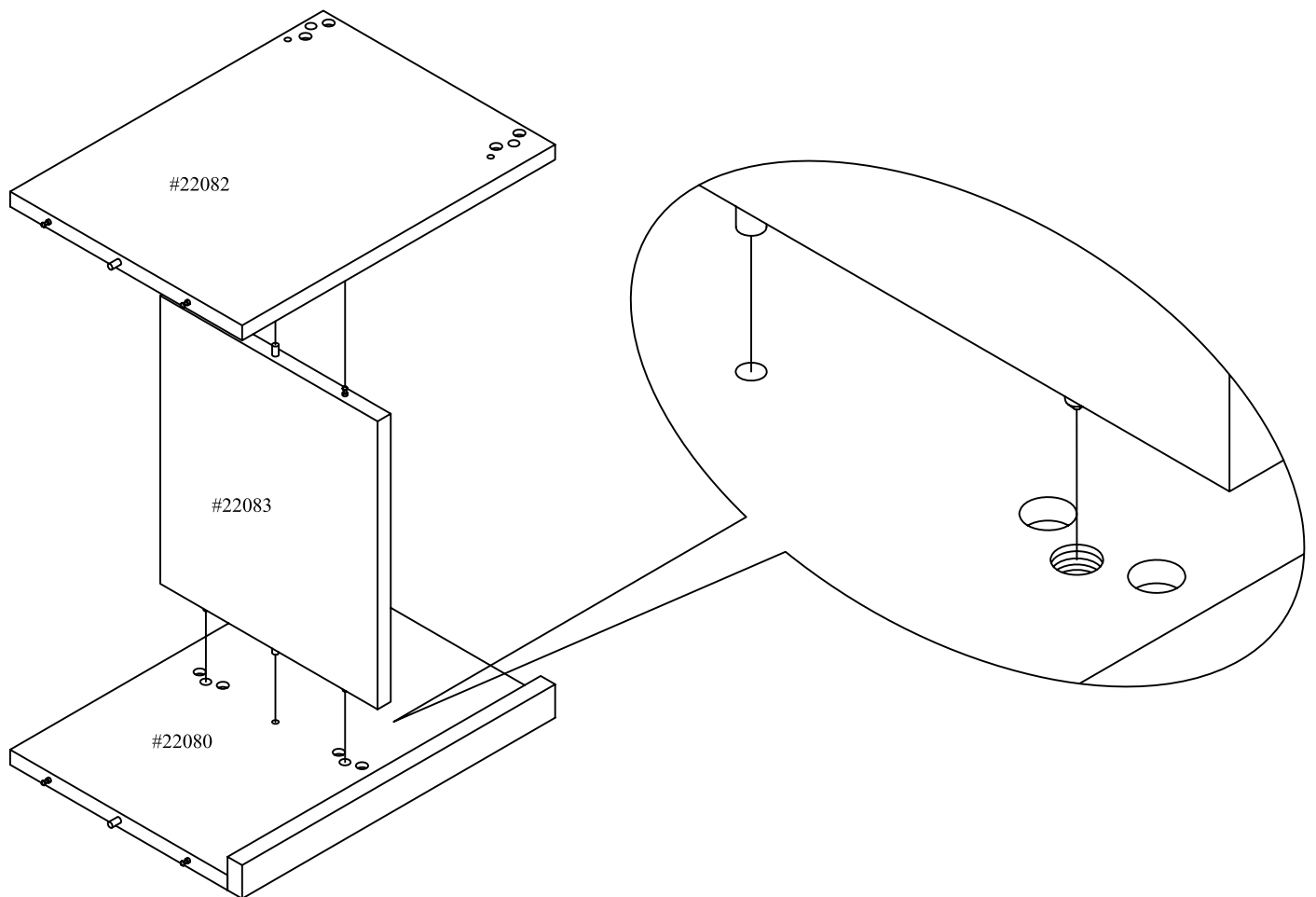
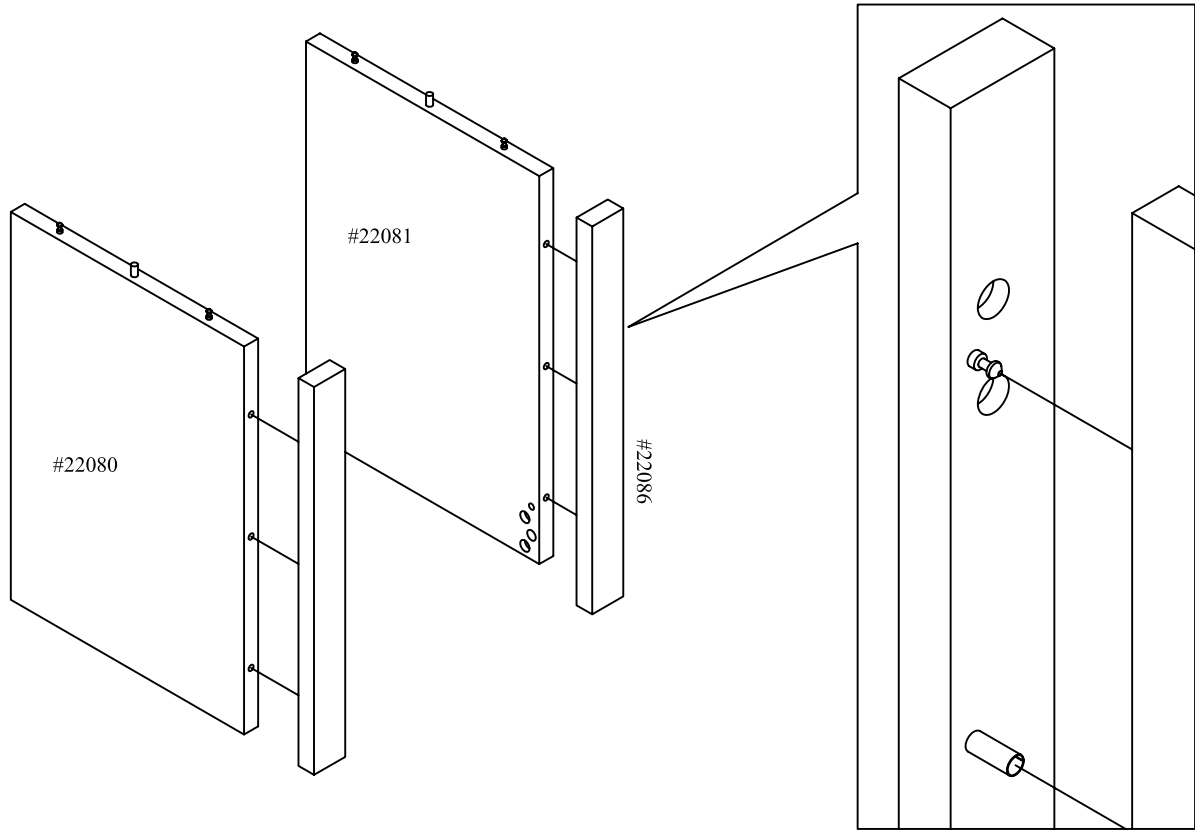
<p>#22079:Top</p> 	<p>1 x #22079</p>	<p>#22081: Side</p>  <p>#22080: Side</p>	<p>1 x #22080 1 x #22081</p>	<p>#22082:Permanent vertical shelf</p> 	<p>1 x #22082</p>
<p>#22083:Permanent horizontal shelf</p> 	<p>1 x #22083</p>	<p>#22084:Low supported slat</p> 	<p>1 x #22084</p>	<p>#22085:Back panel</p> 	<p>1 x #22085</p>
<p>#22086:</p> 	<p>2 x #22086</p>	<p>#20401:Fork lever</p> 	<p>1 x #20401</p>	<p>#20016:Wood screw</p> 	<p>23 x #20016</p>

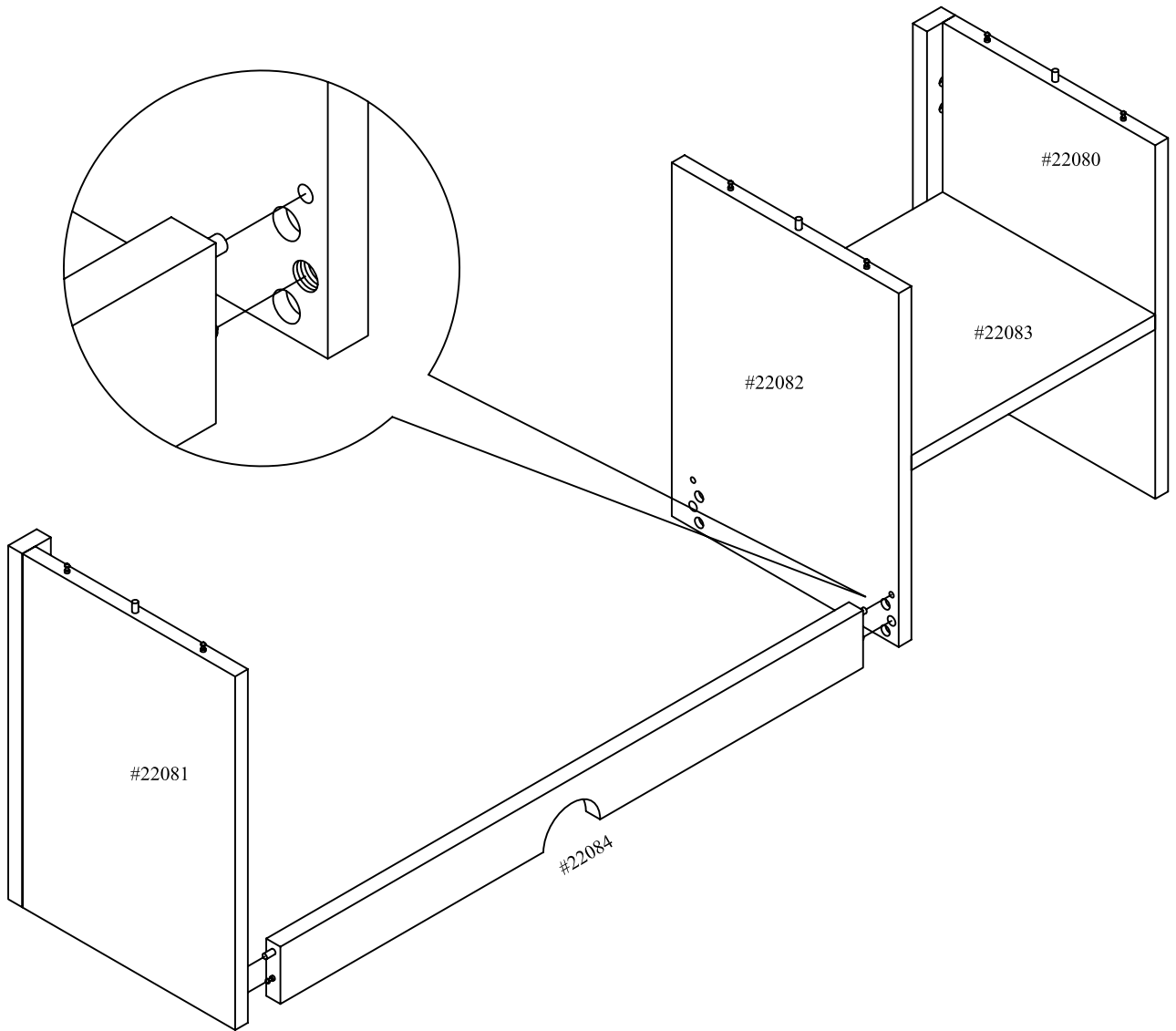
Before start to assemble !  
Please choose: A or B



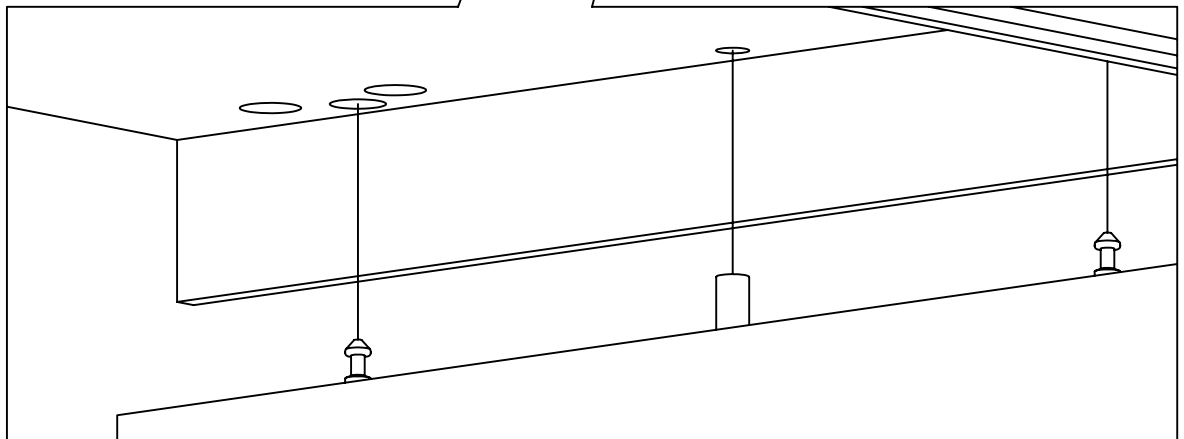
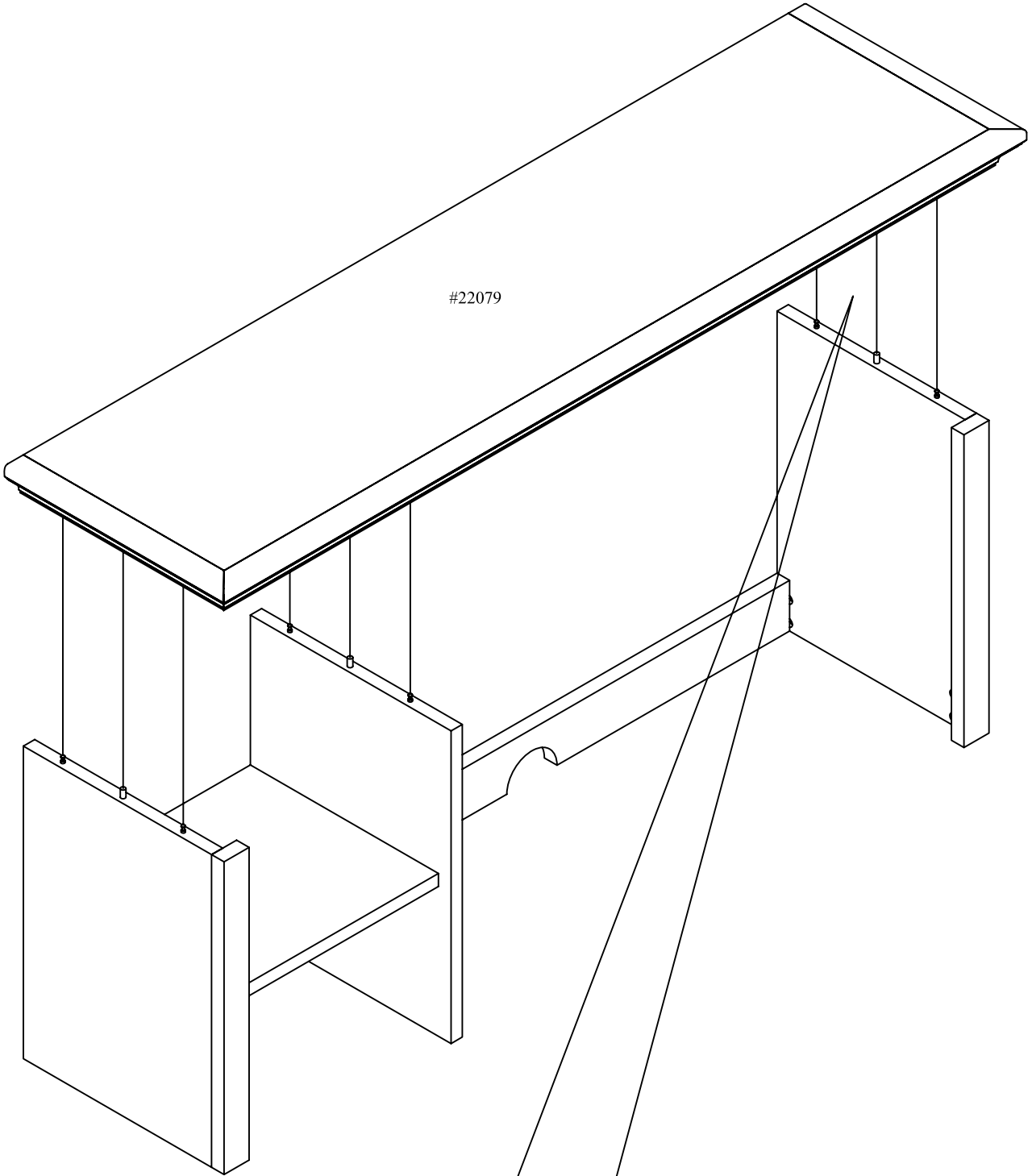
**Maxwood Furniture**

578 EAST BAY St., SUITE C, CHARLESTON SC., 29403,USA

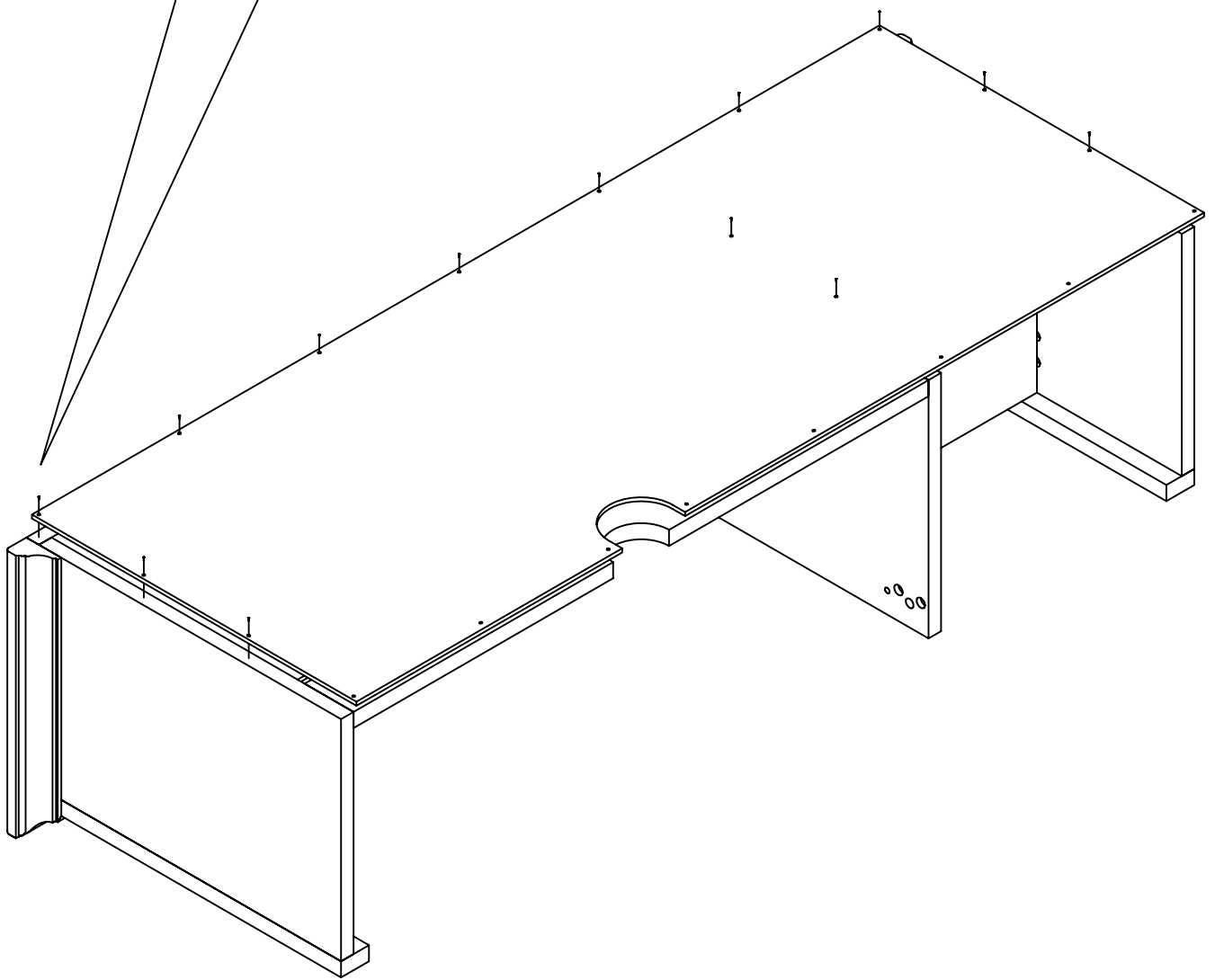
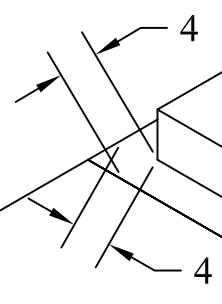
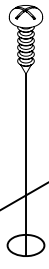


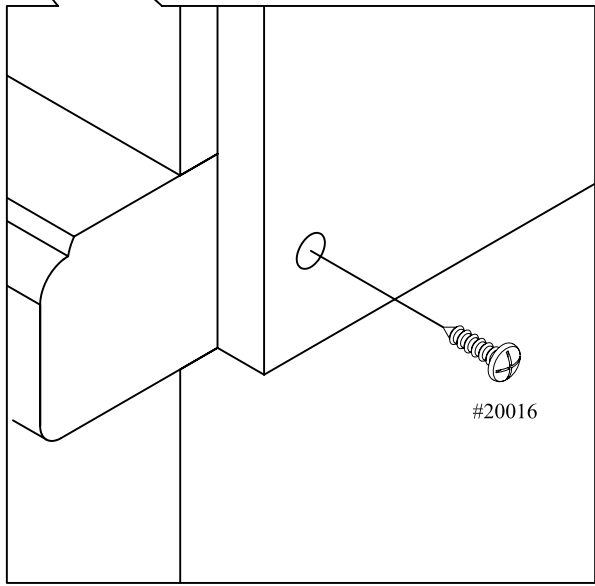
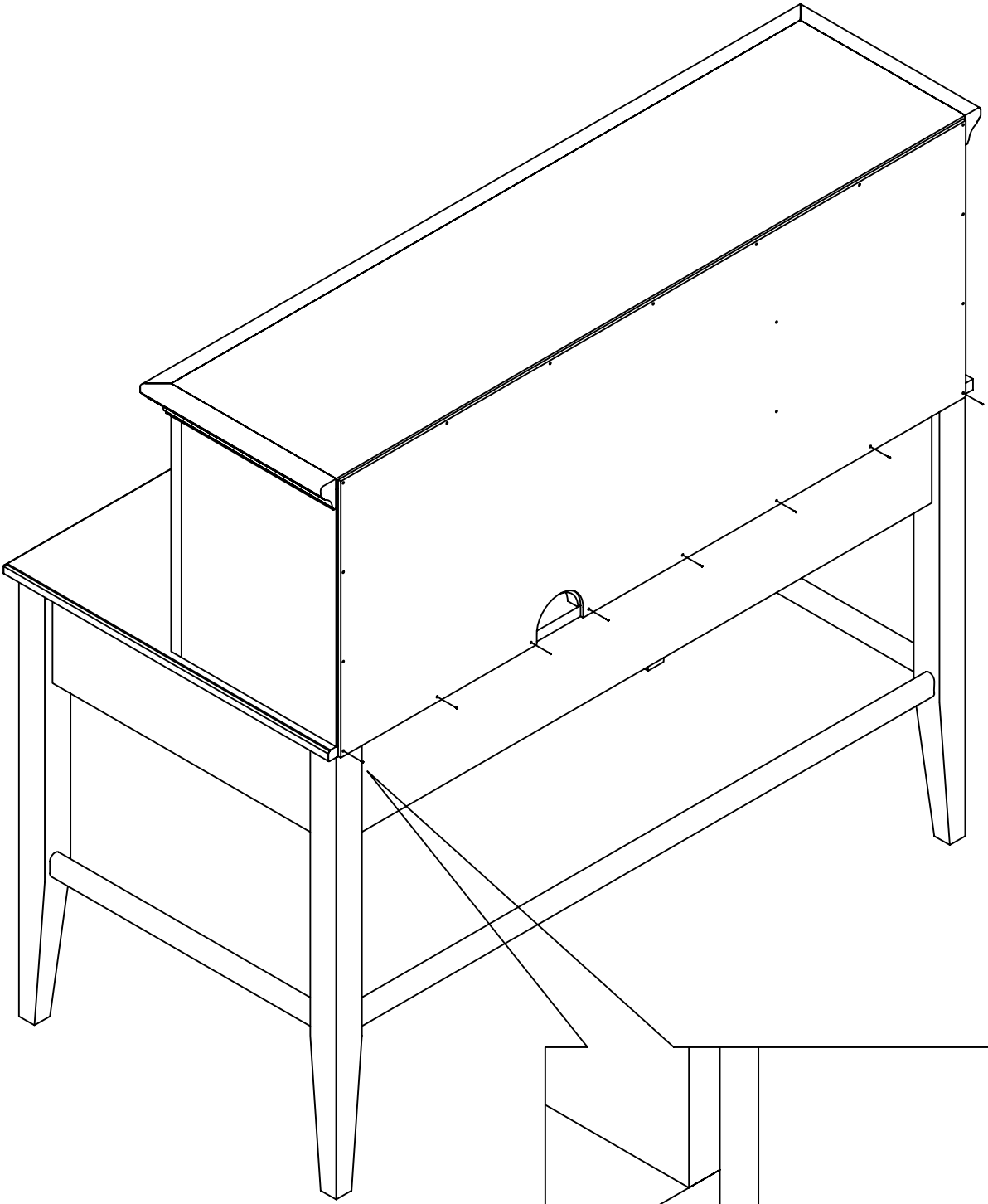


#22079



#20016

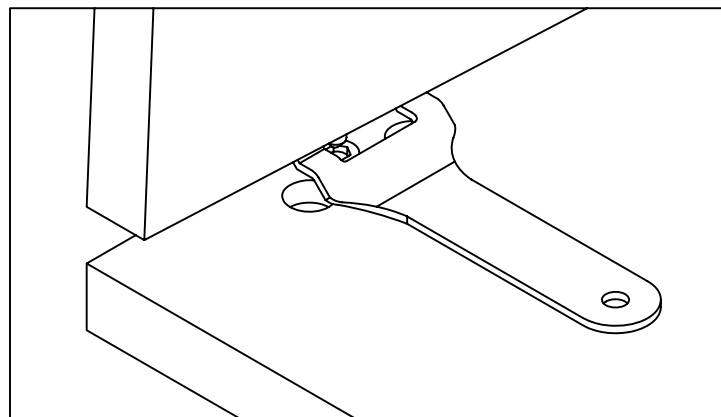
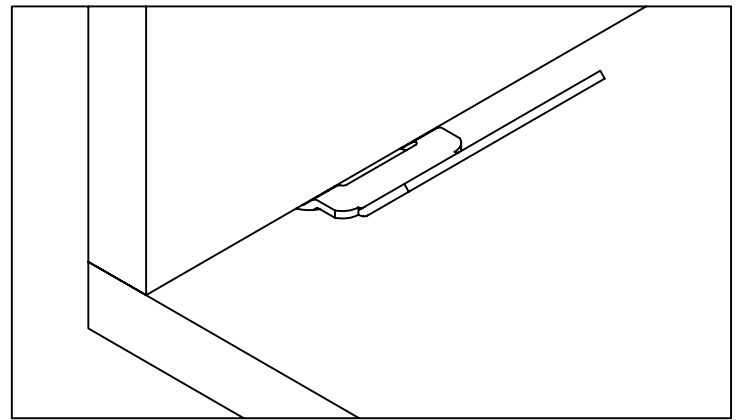
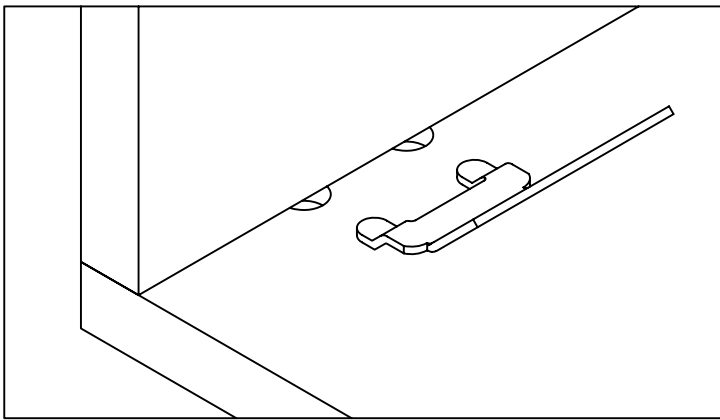
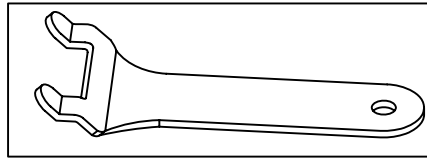




#20016

# Fork Lever Extraction Tool

For use with Extraction Holes (Blind Holes)



Place Fork Lever Tool into Extraction Holes and push down. Joint will un-latch. Repeat on all other joints in panel.

**\*\*\*Make sure to disassemble your furniture in backwards sequence from the installation assembly**

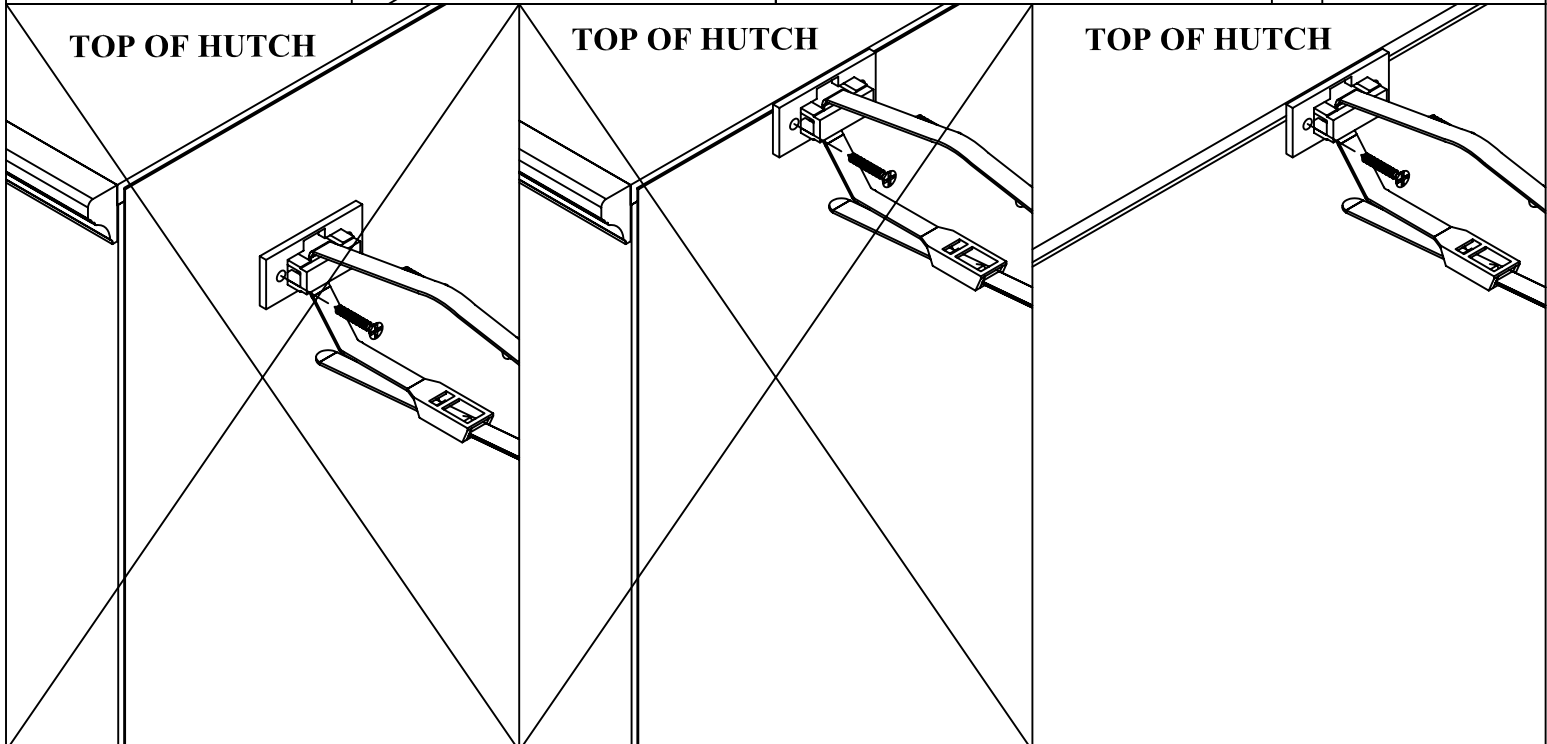
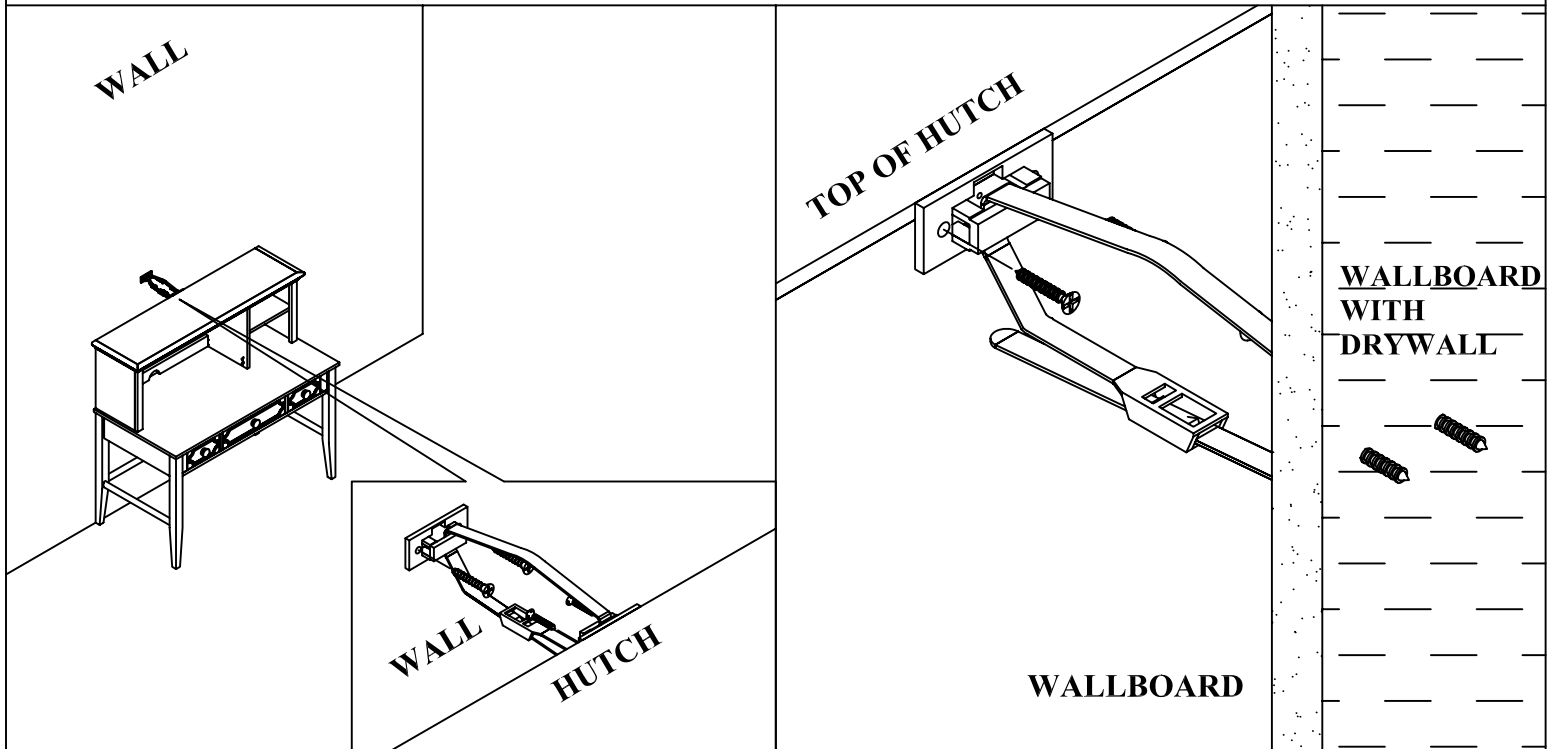
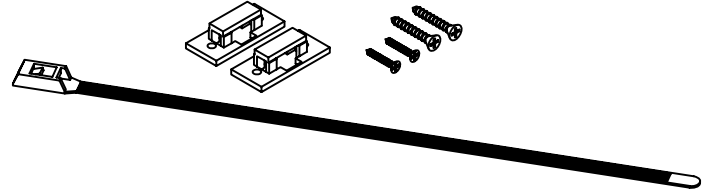
# ASSEMBLY INTRUCTION

## ANTI TIP KIT

**Maxwood Furniture Inc**  
**WWW.MAXTRIXKIDS.COM**

Anti-tip Furniture Fastening System  
For the safety of your child, we highly recommend that you install the enclosed anti-tip furniture fastening system.

Important:  
Ensure wall bracket is firmly screwed into the wall and the furniture bracket is attached to the frame and the strap is snug.  
This product is not to be substituted for proper parental supervision.





**Replacement Parts:**

Replacement Parts may be obtained from any of our dealers.

**Size of Mattress:**

This bed is designed to use a mattress 74" – 75" (188cm – 191cm) long and 37½" – 38½" (95cm – 98cm) wide (Standard Twin size).

**IMPORTANT:**

Always remember to check and tighten loose bolts or hardware every month, as these may loosen with use over time.