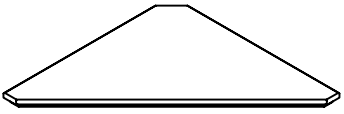
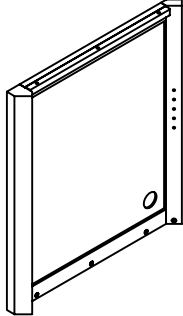
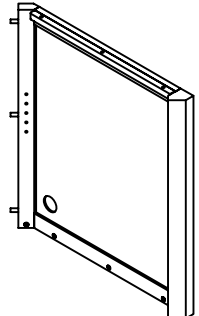
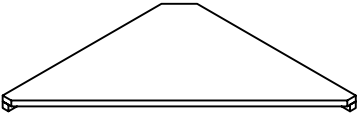
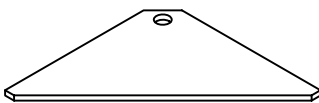
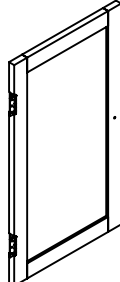
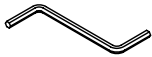
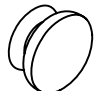




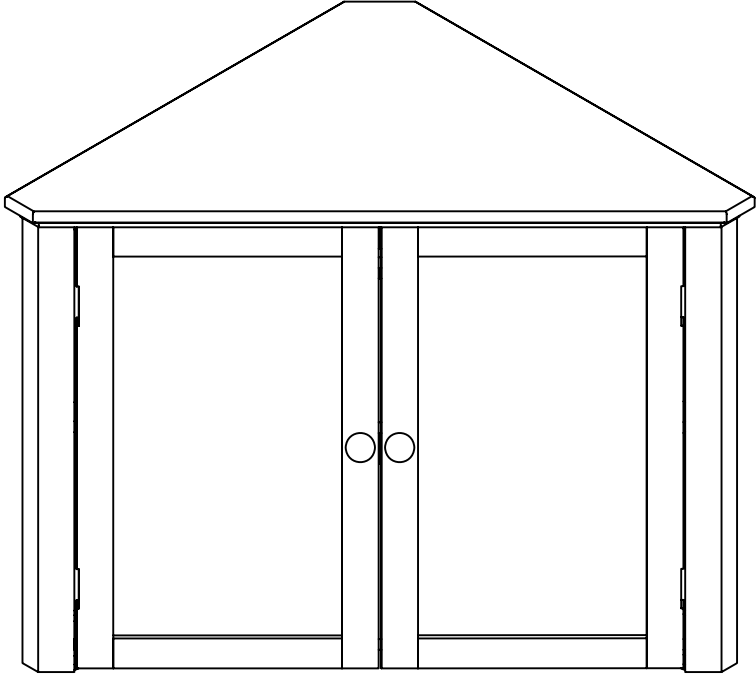



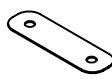
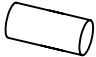


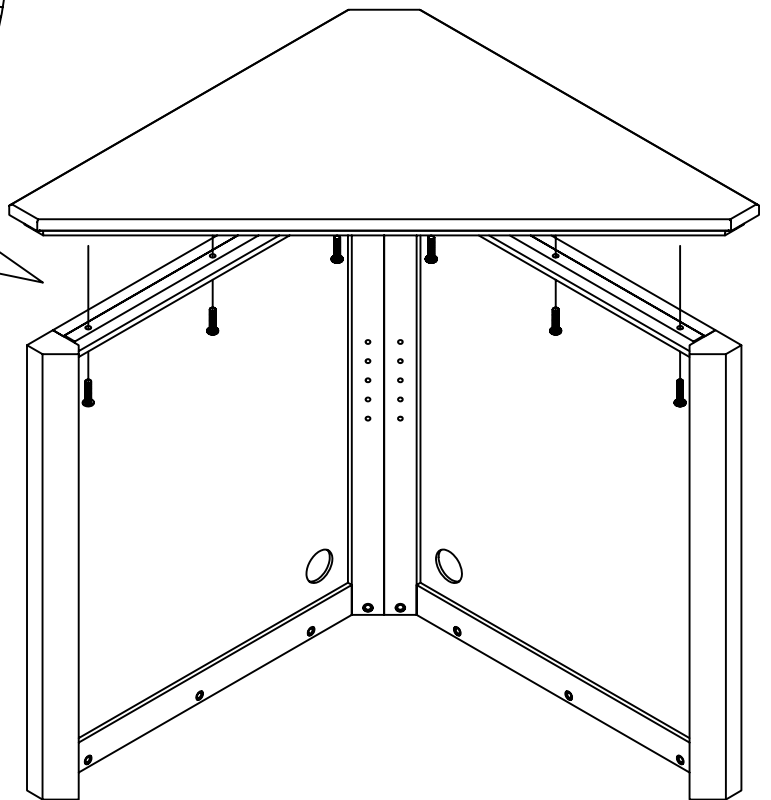
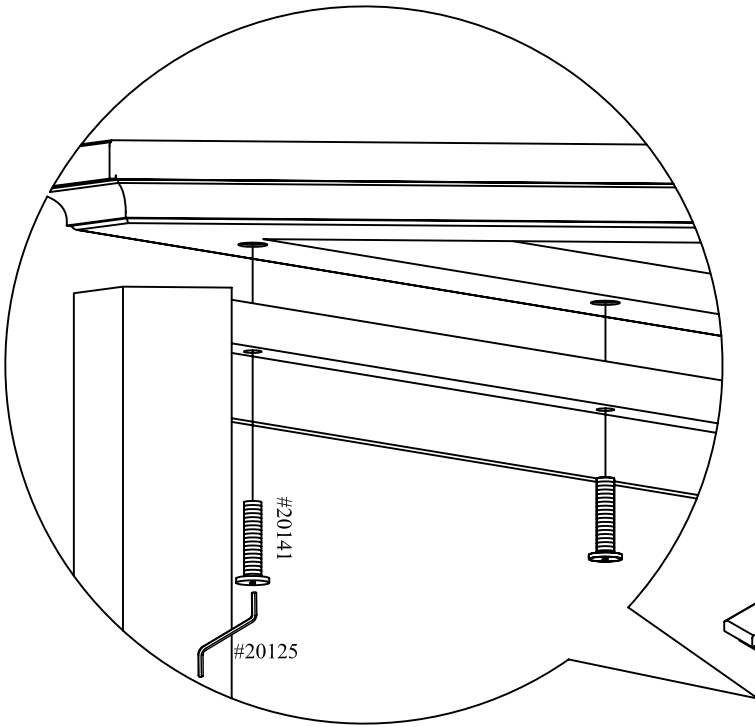
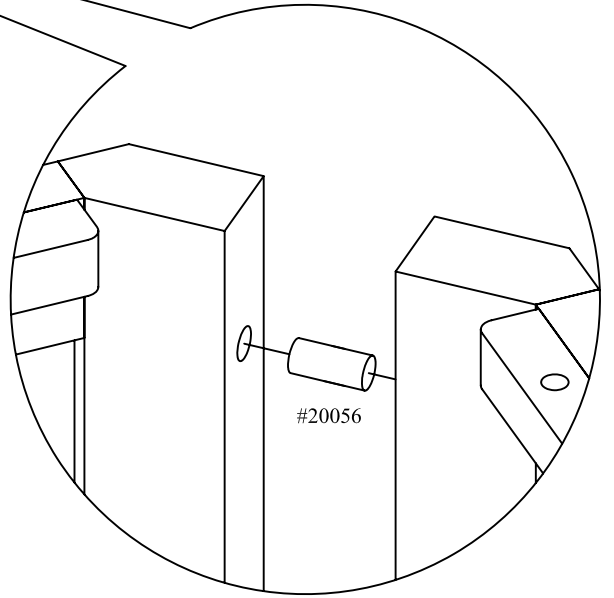
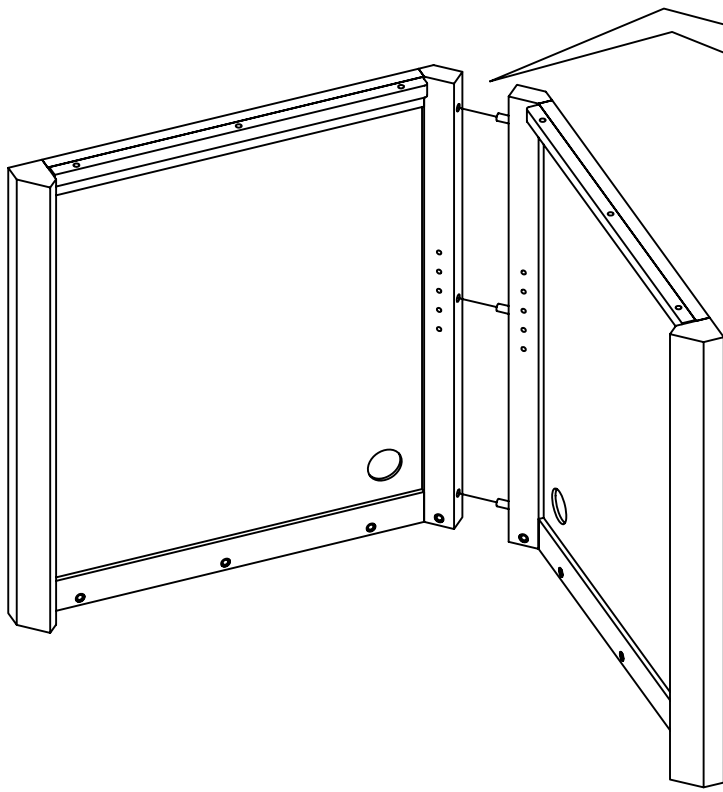
# ASSEMBLY INSTRUCTION

## #14-1201

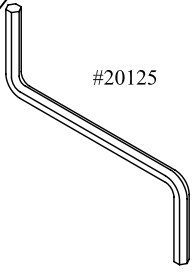
<p>#22105: Top</p>  <p>1 x #22105</p>		<p>#22106: Left side</p>  <p>1 x #22106</p>		<p>#22107: Right side</p>  <p>1 x #22107</p>	
<p>#22108: Bottom</p>  <p>1 x #22108</p>		<p>#22109: Shelf</p>  <p>1 x #22109</p>		<p>#22110: Door</p>  <p>2 x #22110</p>	
<p>#20125: Hex wrench 4mm</p>  <p>1 x #20125</p>		<p>#20046: Knob</p>  <p>#4200: Foot</p> 	<p>2 x #20046 3 x #4200</p>	<p>#20434: Bolt 4 x 30mm</p>  <p>2 x #20434</p>	
<p>#20124: 30mm bolt</p>  <p>#20141: 35mm bolt</p>  <p>8 x #20124 6 x #20141</p>					
<p>#22111: Shelf support</p>  <p>4 x #22111</p>					
<p>#20045: 19mm wood screw</p>  <p>4 x #20045</p>					
<p>#20369: Screw 3 x 15mm</p>  <p>12 x #20369</p>					
<p>#20025: Mending plates</p>  <p>2 x #20025</p>					
<p>#20056:</p>  <p>3 x #20056</p>					

**Maxwood Furniture**

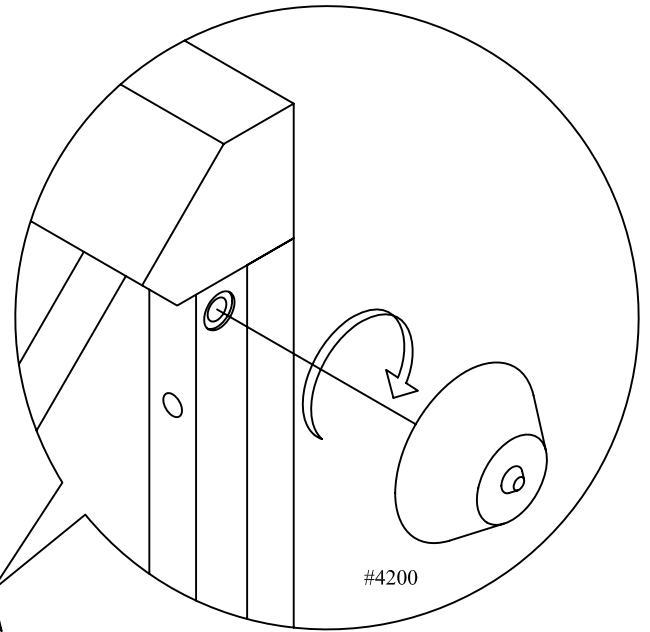
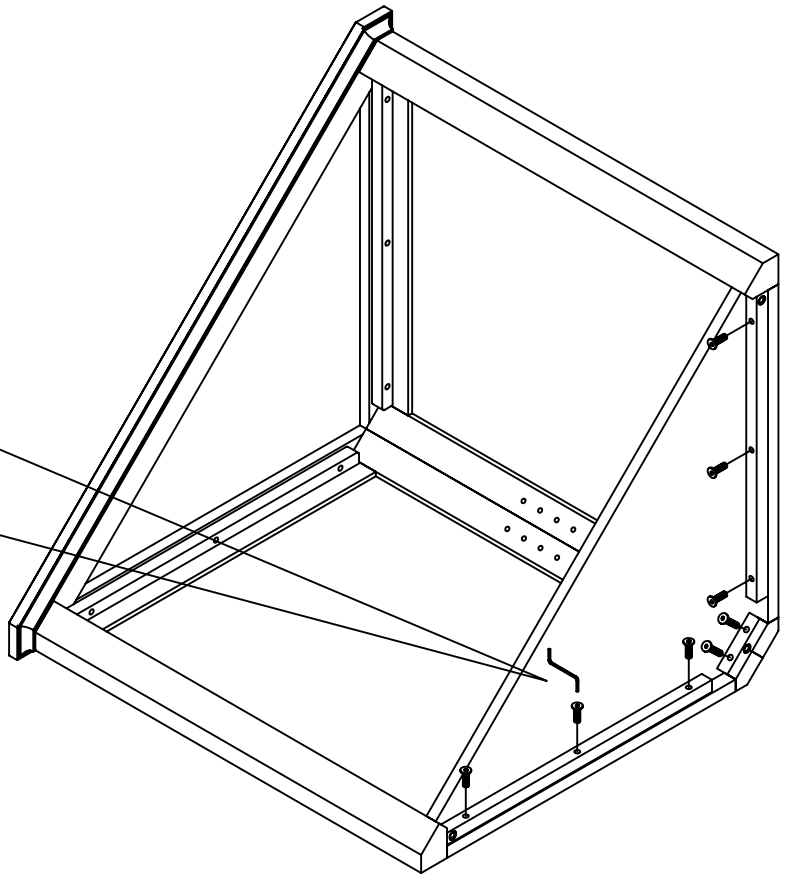
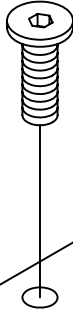
578 EAST BAY St., SUITE C, CHARLESTON SC., 29403,USA



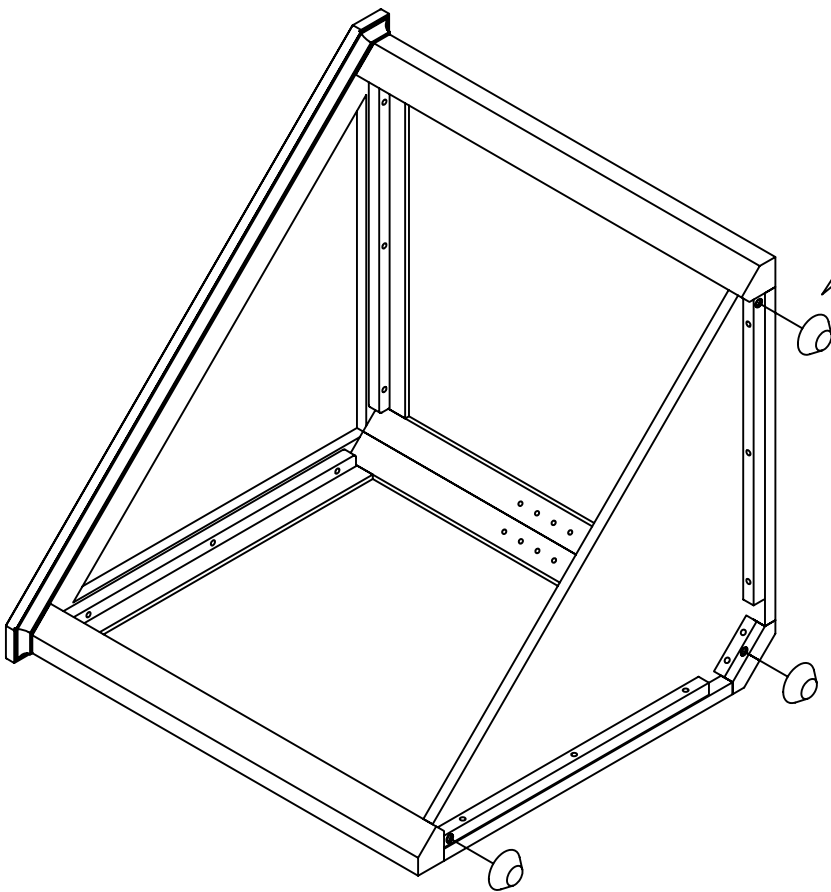
#20125

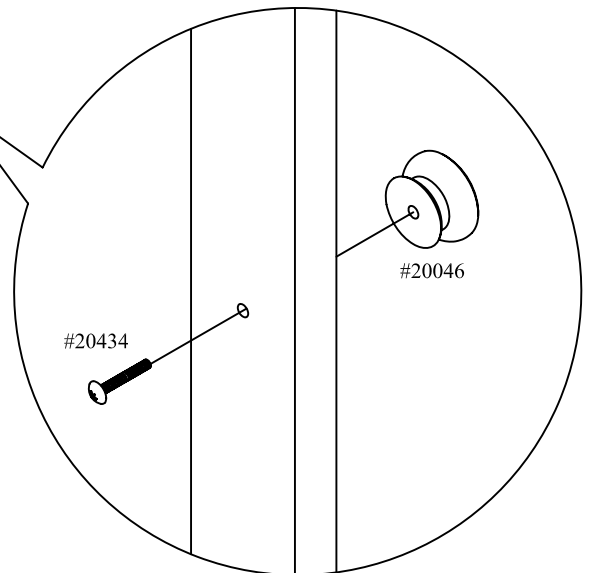
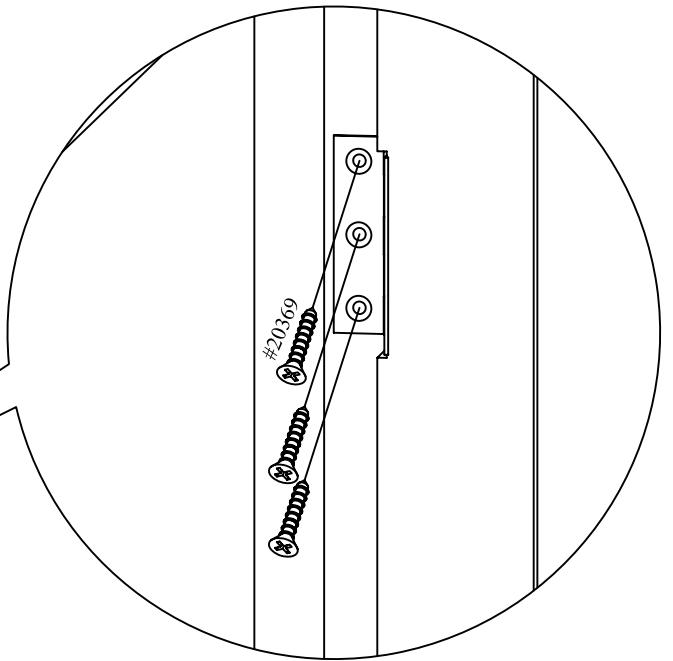
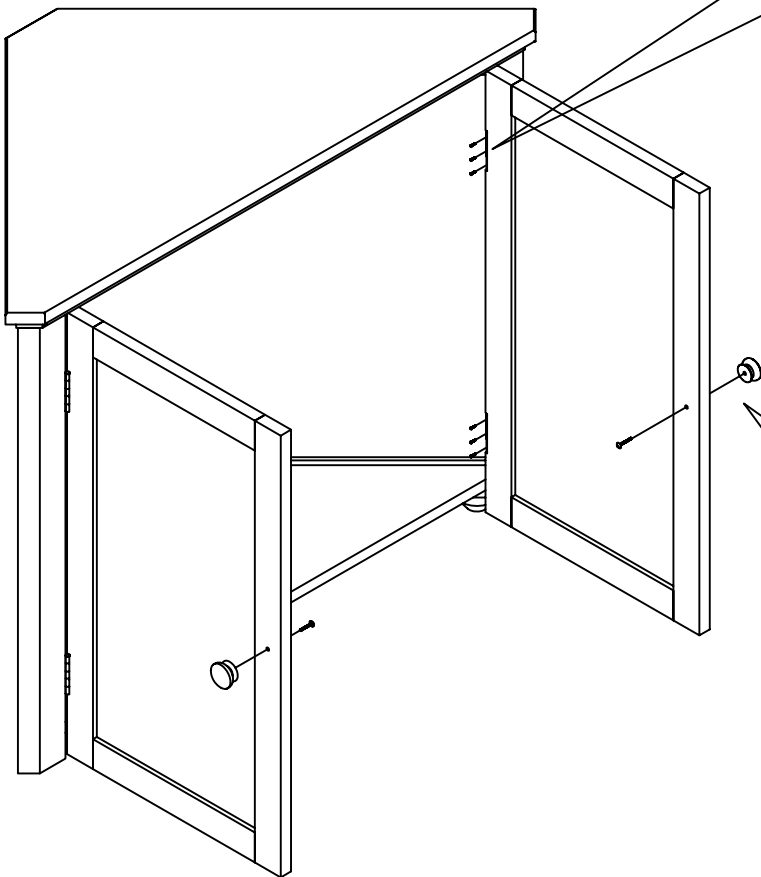
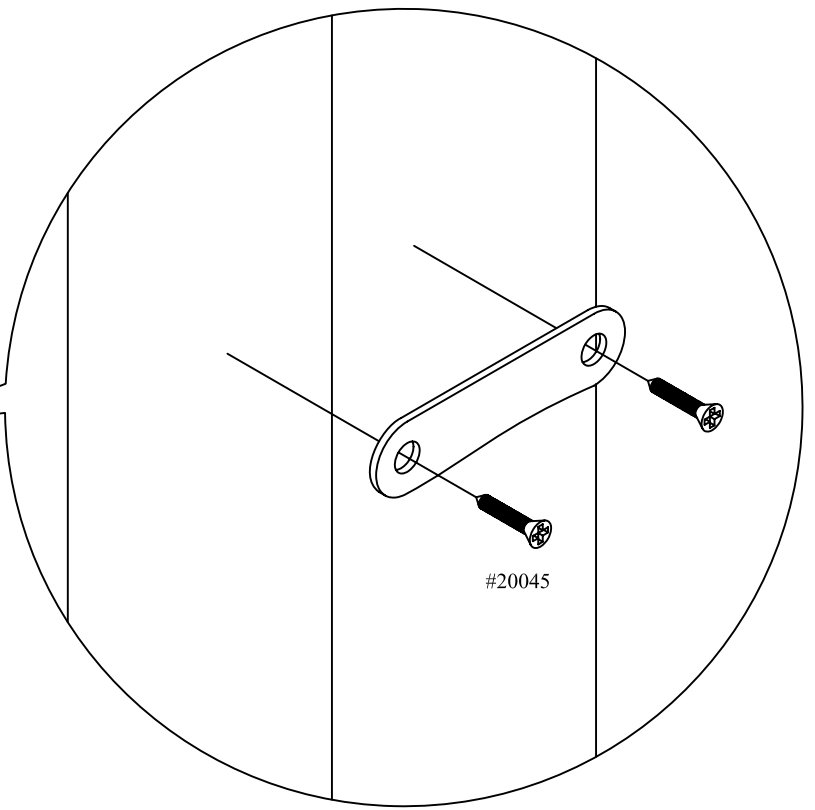
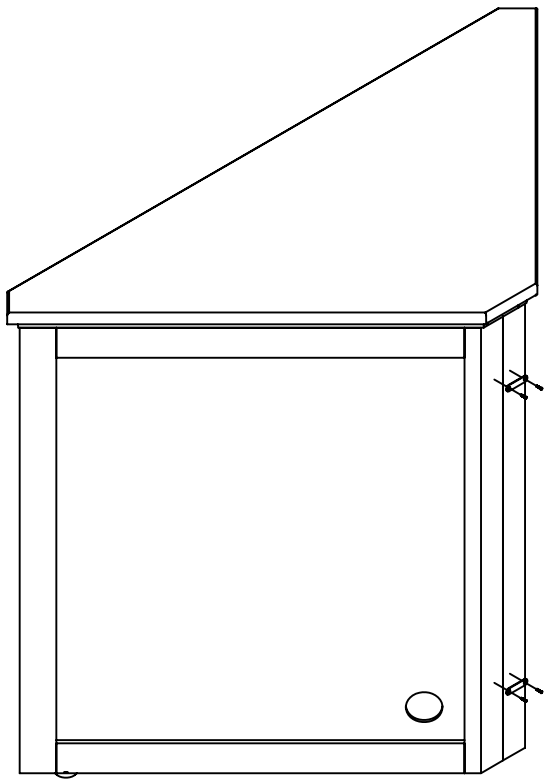


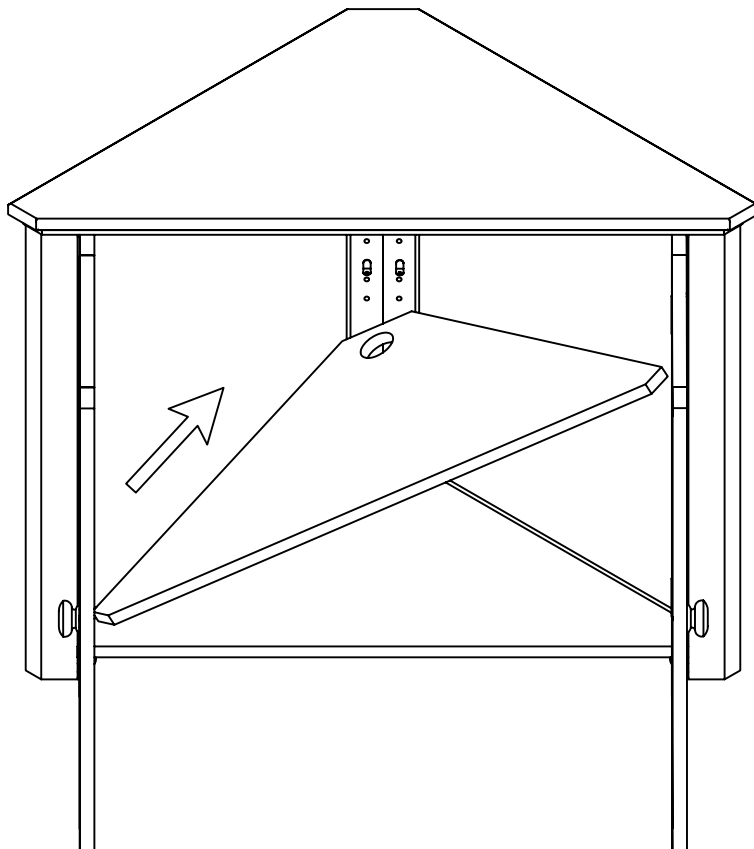
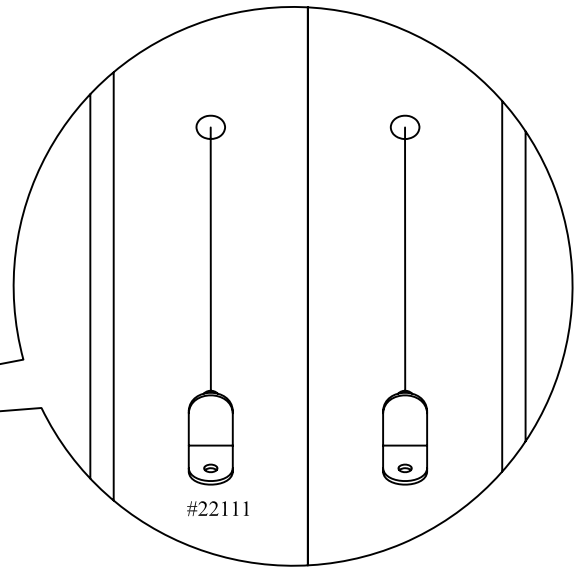
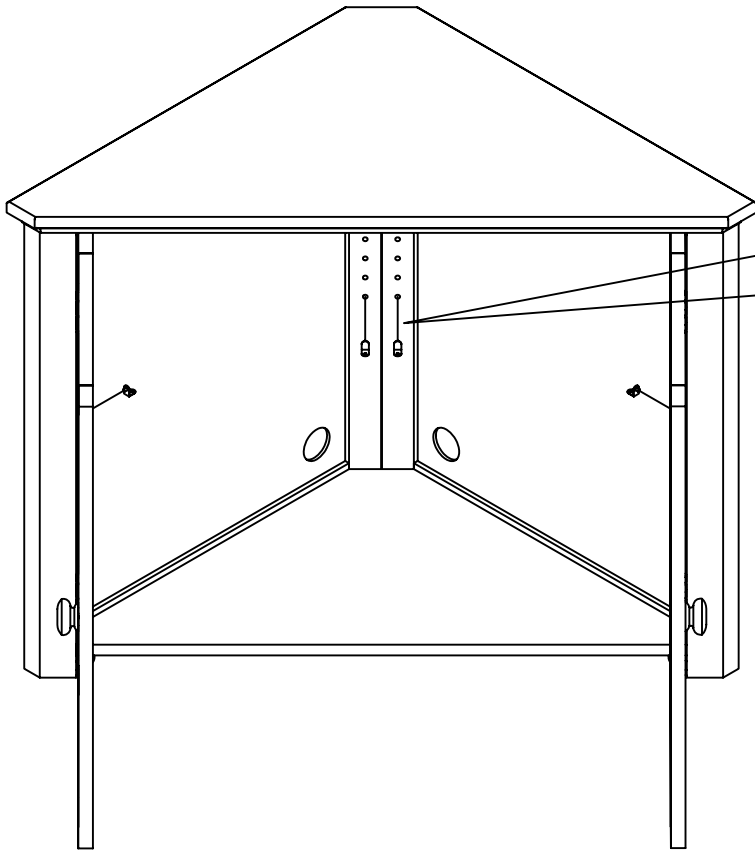
#20124

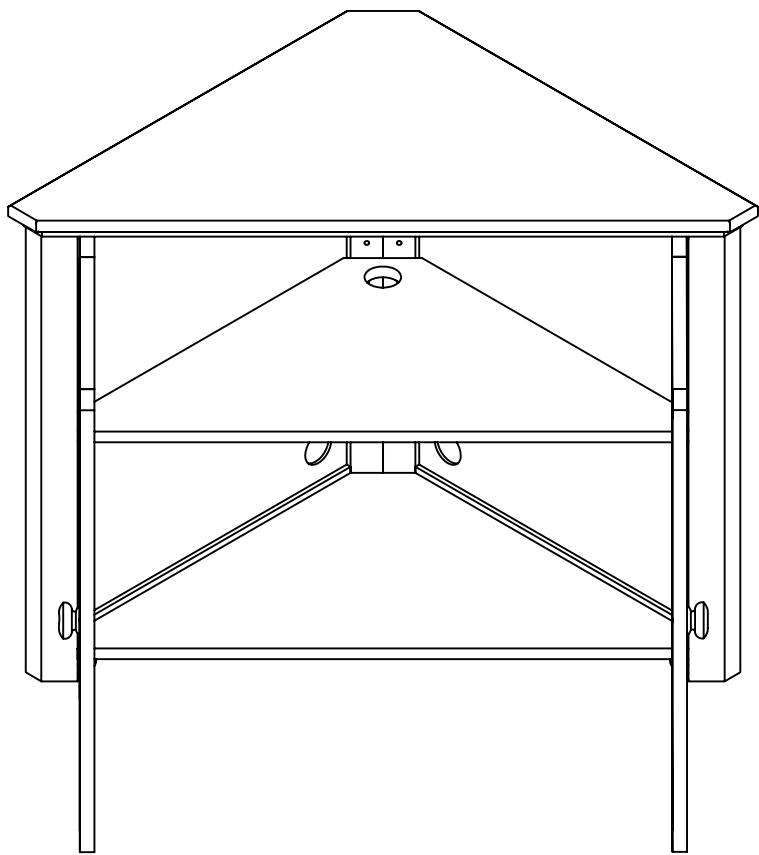


#4200









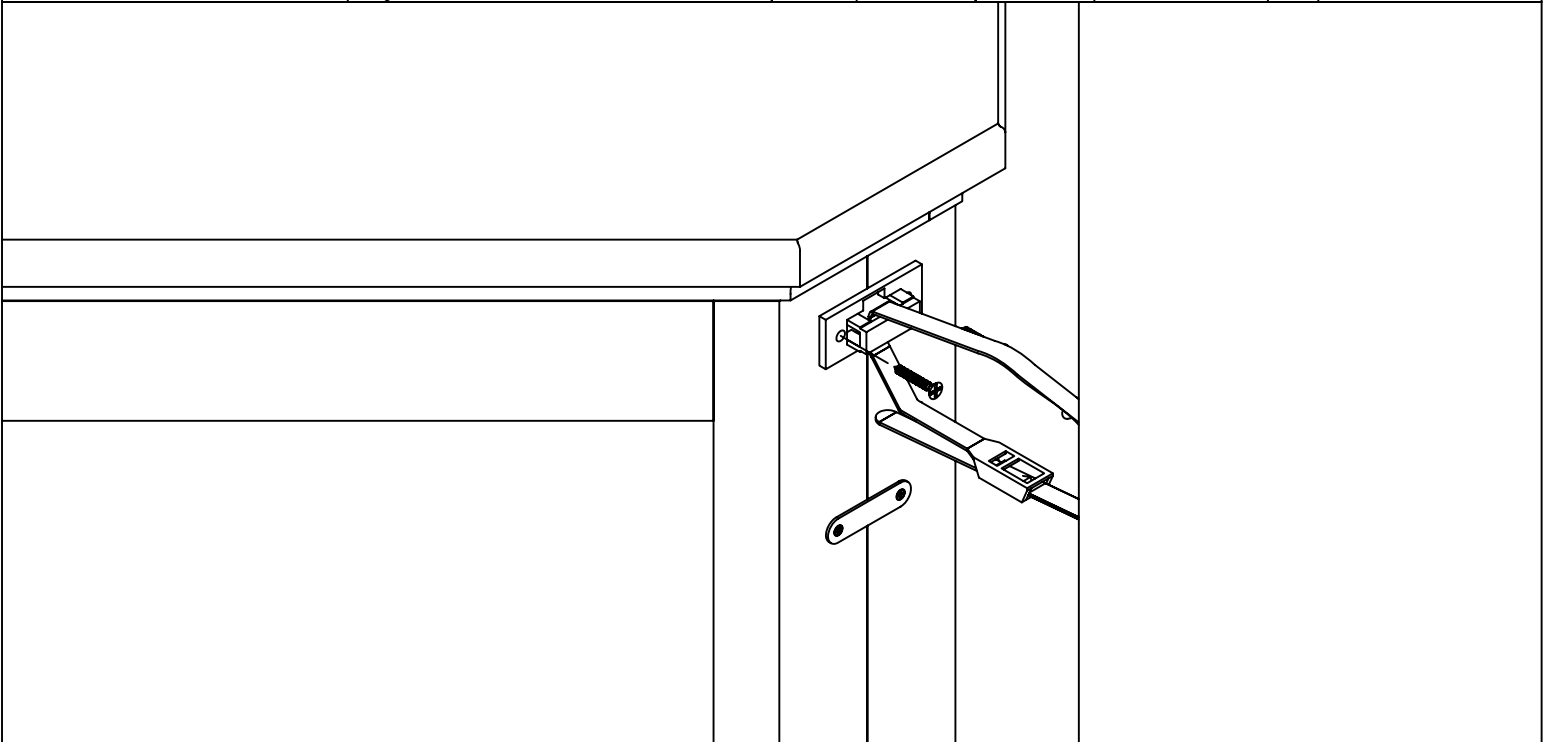
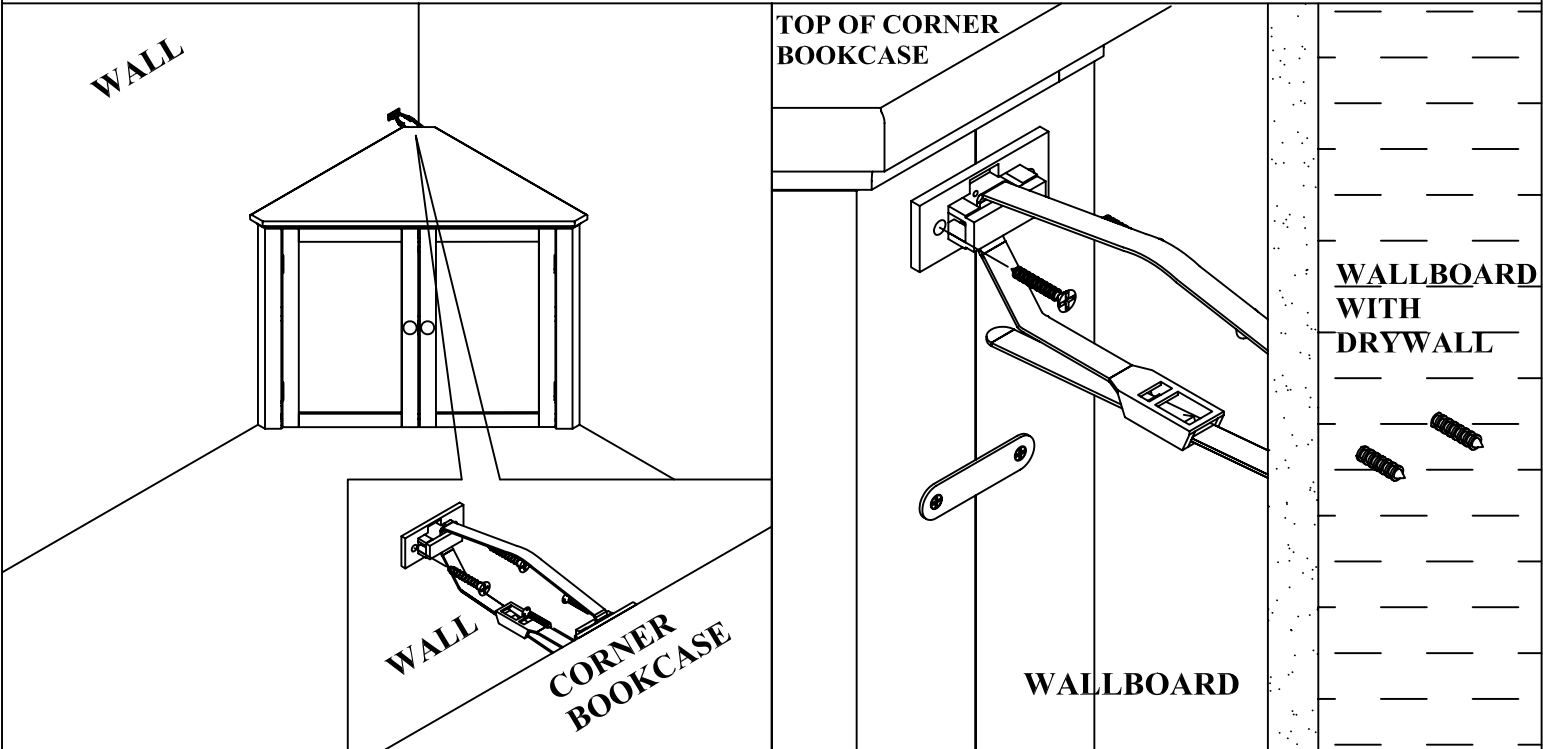
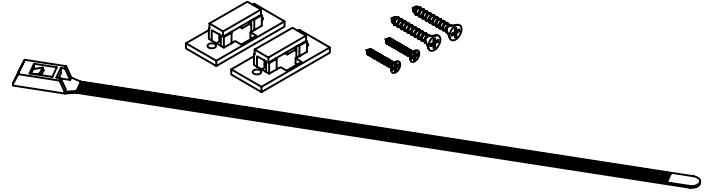
# ASSEMBLY INTRUCTION

## ANTI TIP KIT

**Maxwood Furniture Inc**  
**WWW.MAXTRIXKIDS.COM**

Anti-tip Furniture Fastening System  
For the safety of your child, we highly recommend that you install the enclosed anti-tip furniture fastening system.

Important:  
Ensure wall bracket is firmly screwed into the wall and the furniture bracket is attached to the frame and the strap is snug.  
This product is not to be substituted for proper parental supervision.



**Replacement Parts:**

Replacement Parts may be obtained from any of our dealers.

**Size of Mattress:**

This bed is designed to use a mattress 74" – 75" (188cm – 191cm) long and 37½" – 38½" (95cm – 98cm) wide (Standard Twin size).

**IMPORTANT:**

Always remember to check and tighten loose bolts or hardware every month, as these may loosen with use over time.