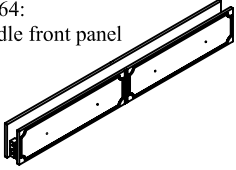
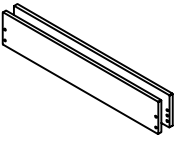
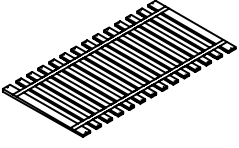
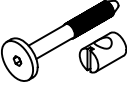
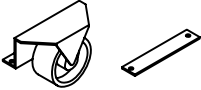

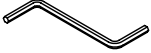
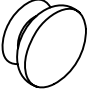

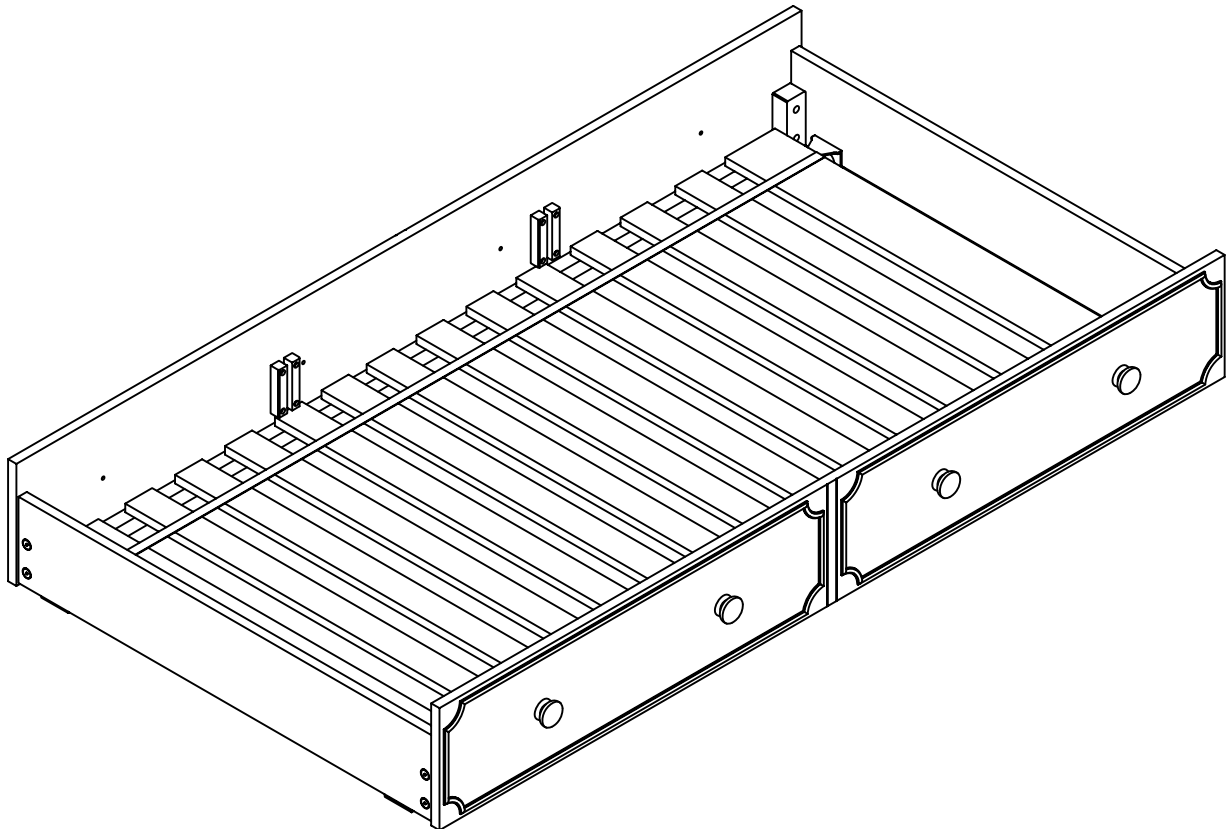


ASSEMBLY INSTRUCTION

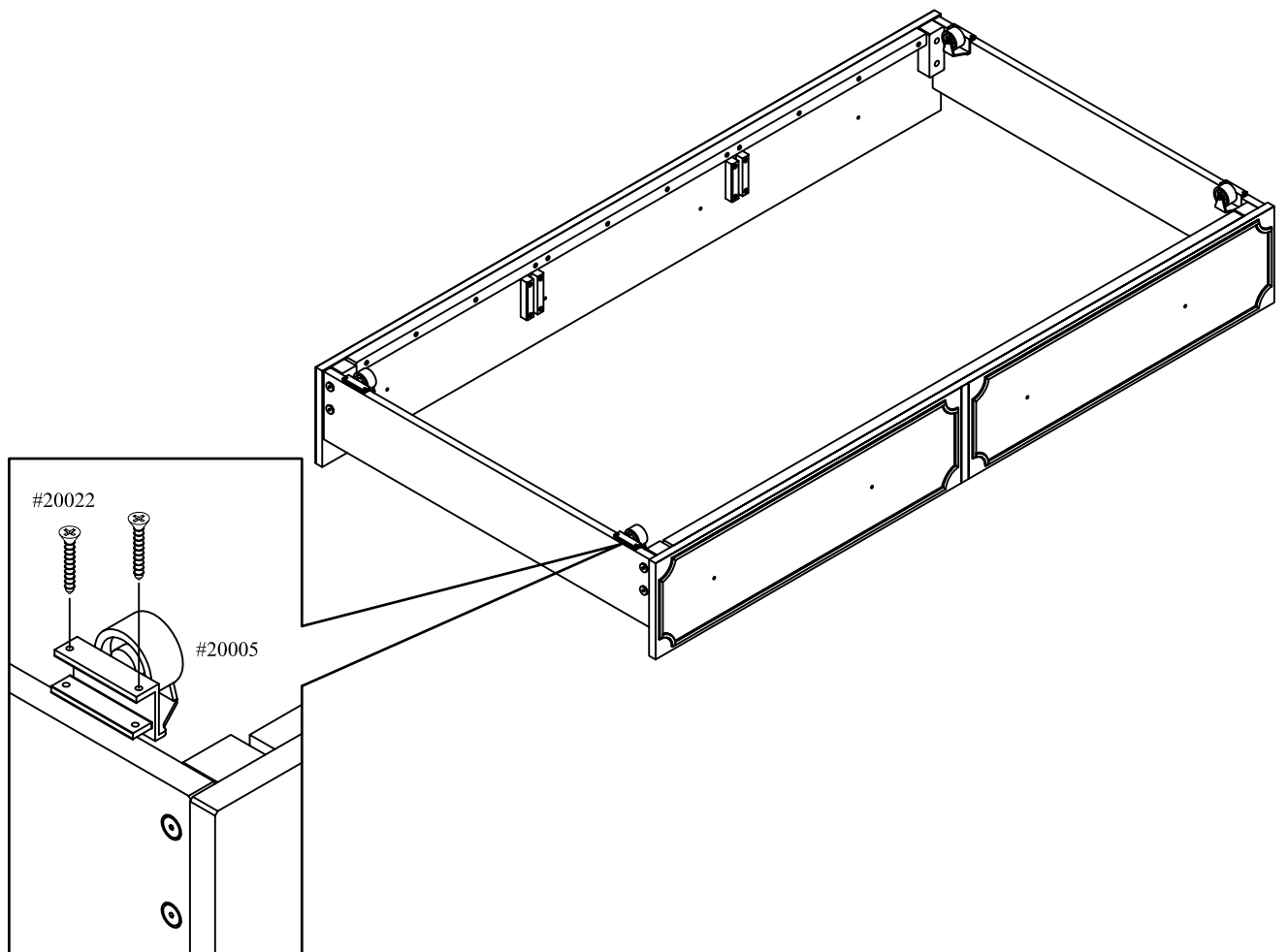
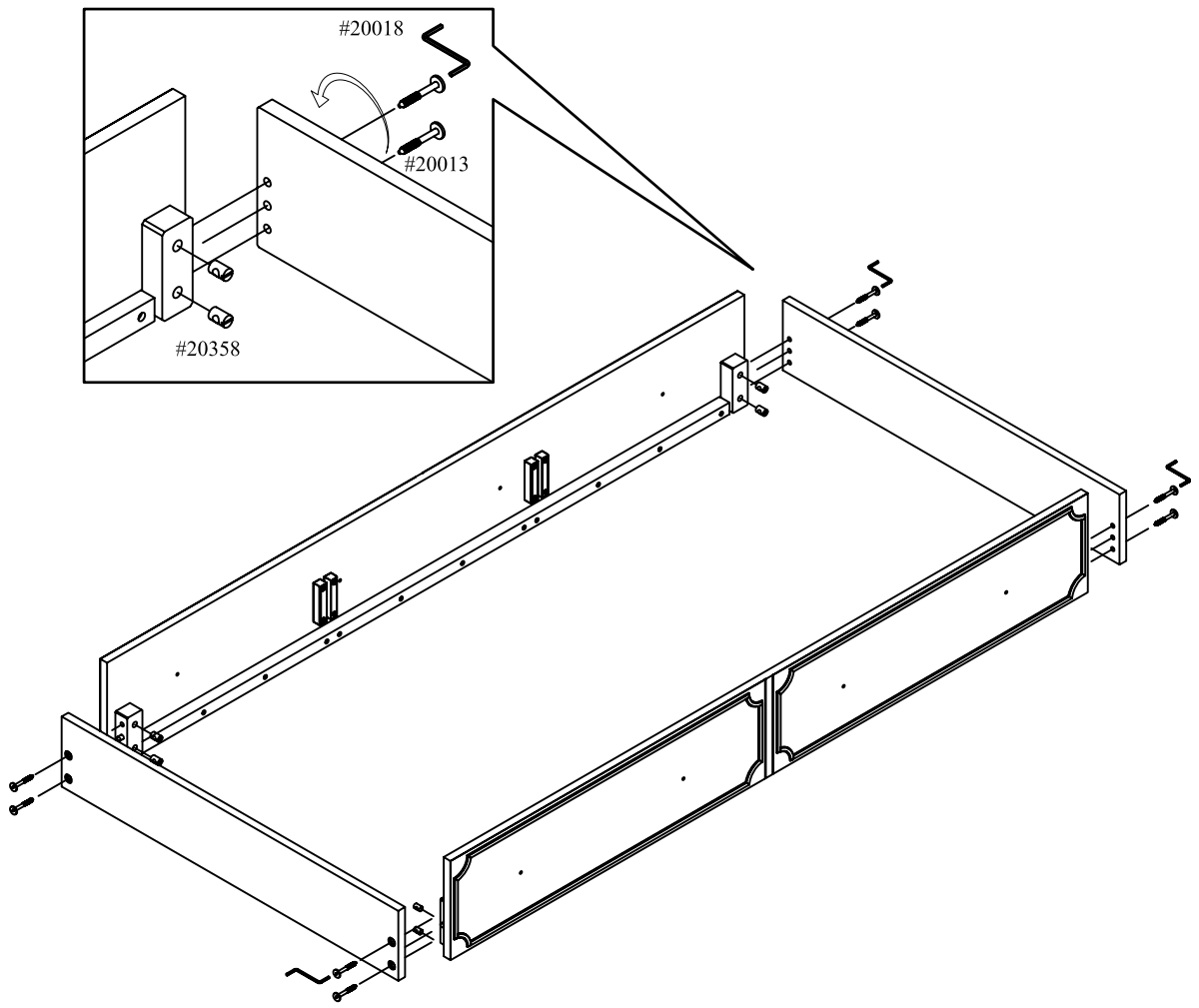
#14-0803

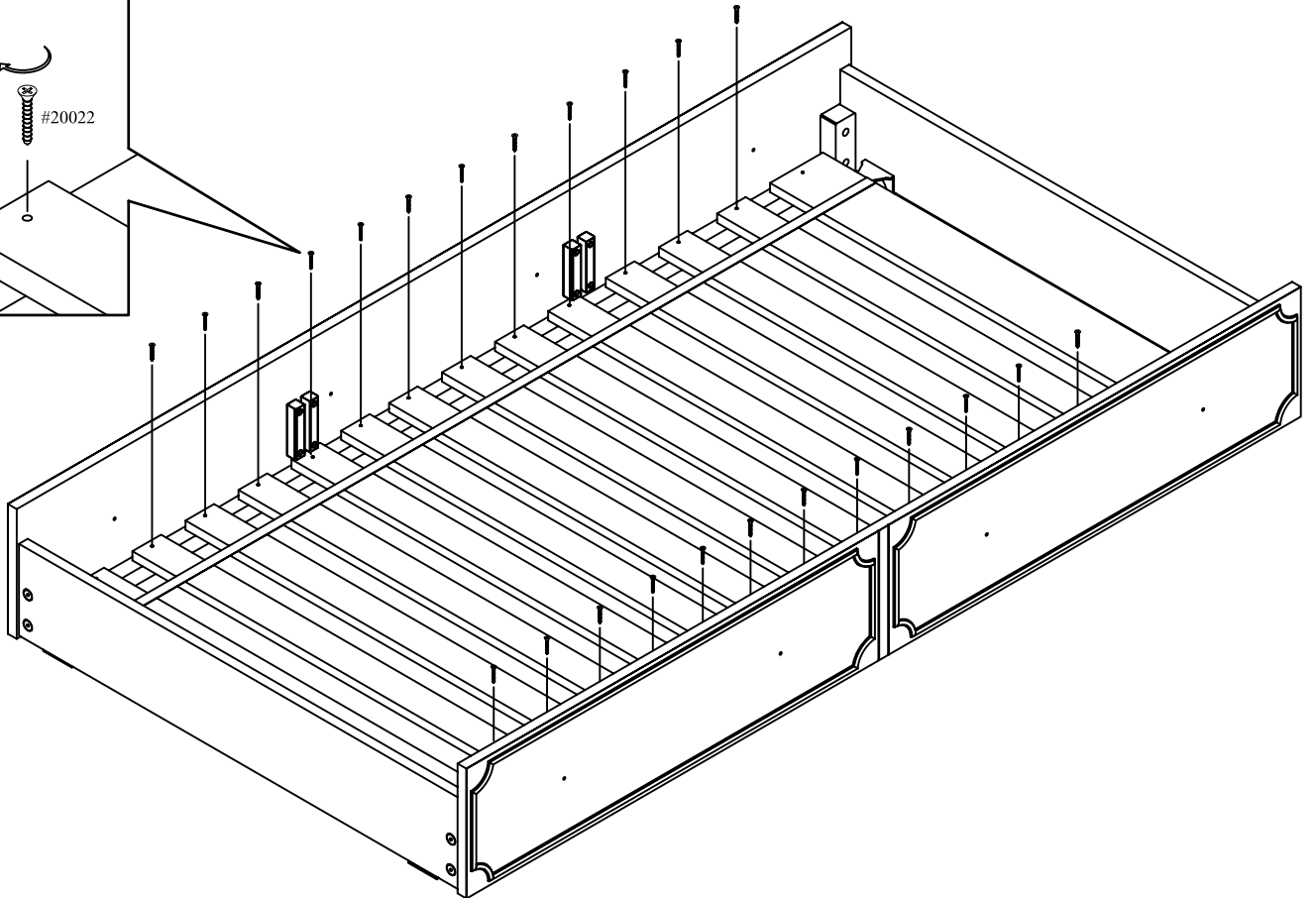
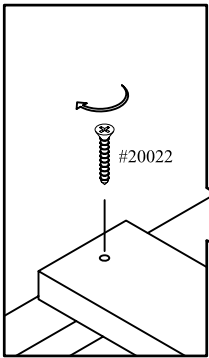
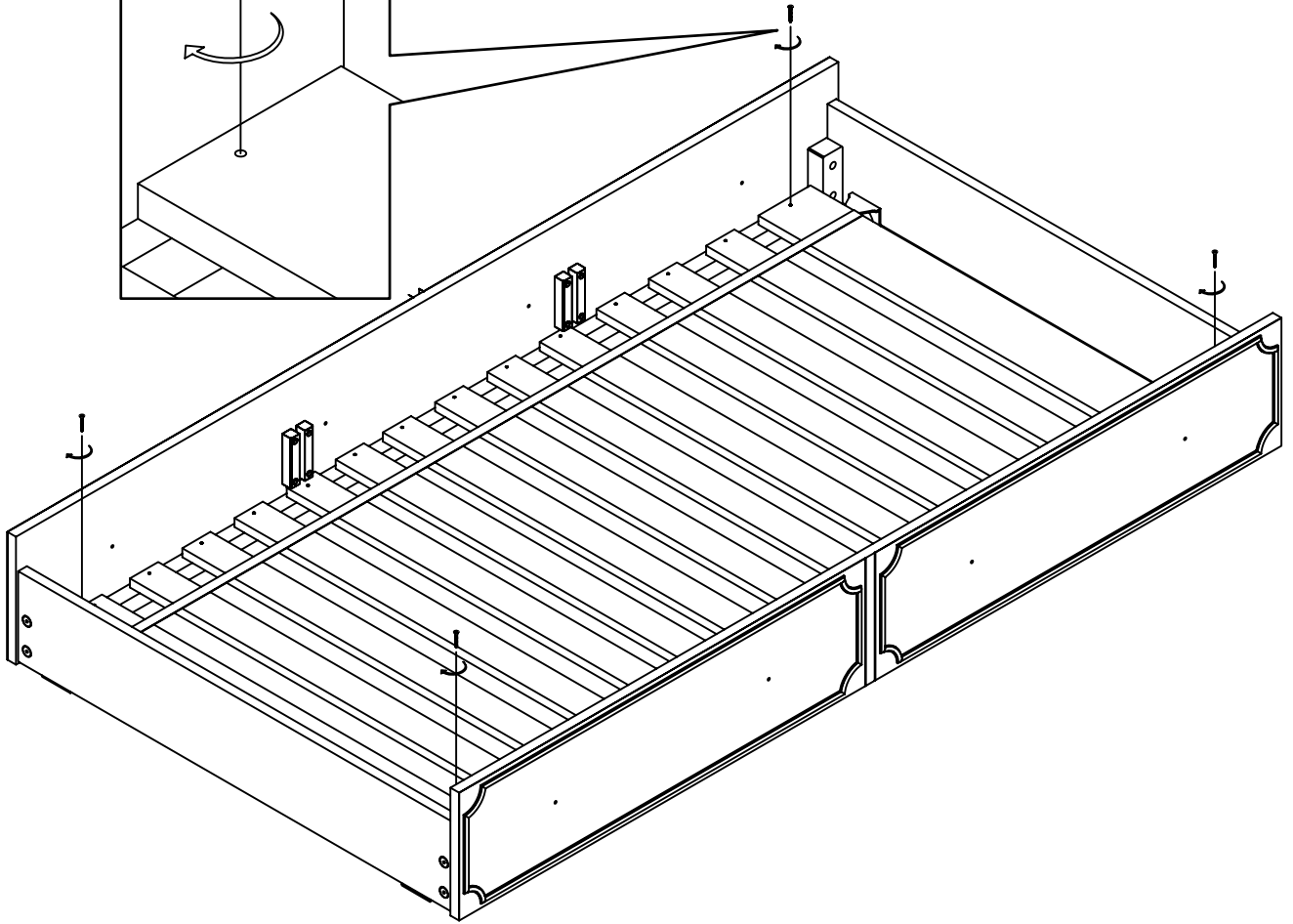
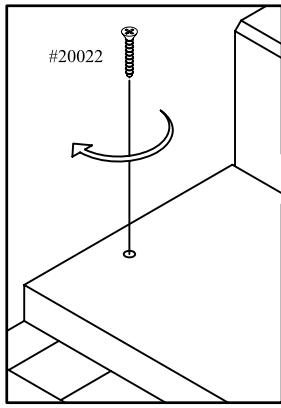
<p>#22064: Trundle front panel</p> 	<p>2 x #22064</p>	<p>#21044:Trundle side panel</p> 	<p>2 x #21044</p>	<p>#200: Slats</p> 	<p>#200: 14 x slats</p>
<p>#20013: M8 60mm hex bolt #20358: M8 cross dowel</p> 	<p>8 x #20013 8 x #20358</p>	<p>#20005: Trundle wheel</p> 	<p>4 x #20005</p>	<p>#20022: wood screw</p> 	<p>8 x #20022</p>
<p>#20018: Hex wrench 5mm</p> 	<p>1 x #20018</p>	<p>#20046: Knob</p> 	<p>8 x #20046</p>	<p>#20434: Bolt 4 x 30mm</p> 	<p>8 x #20434</p>

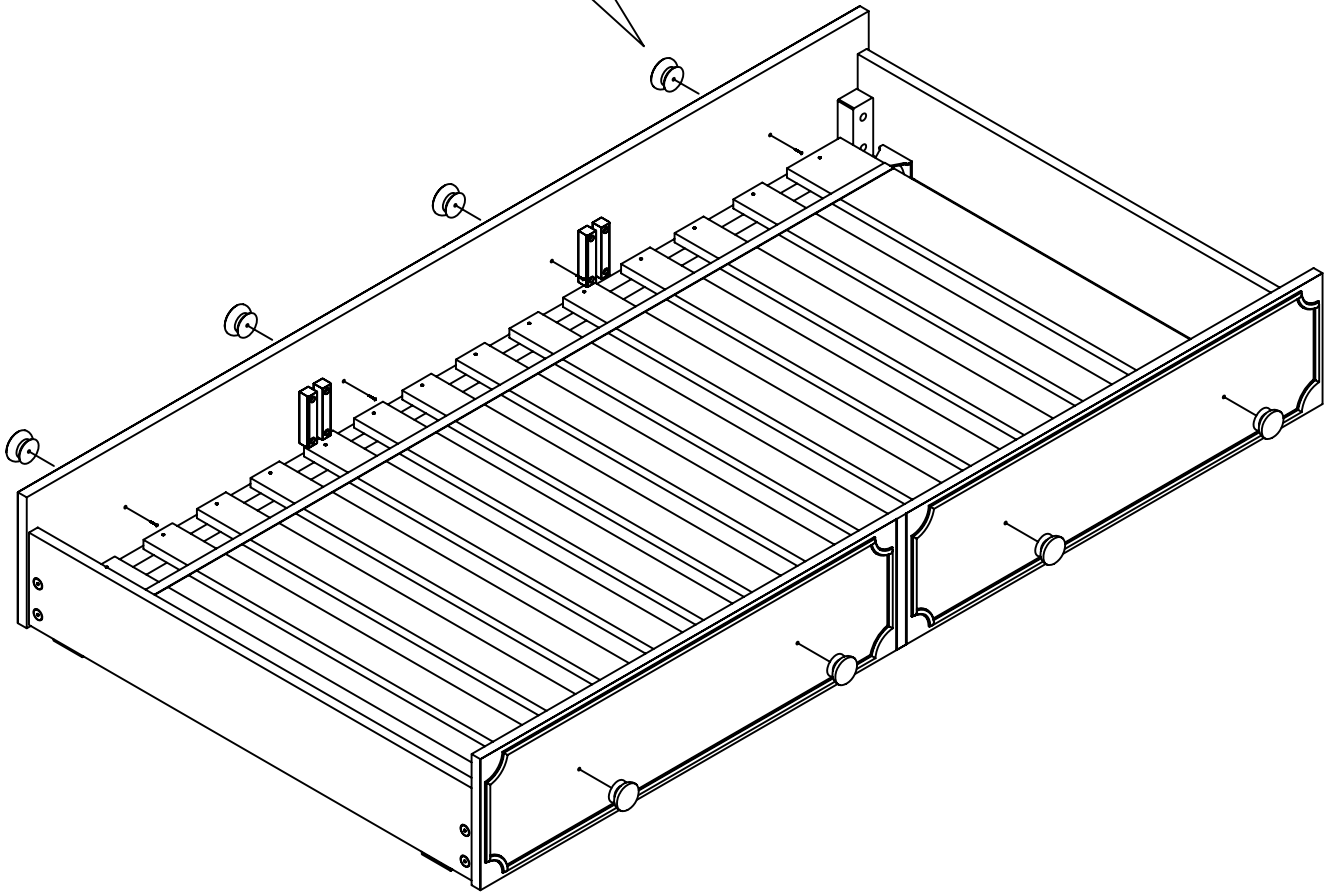
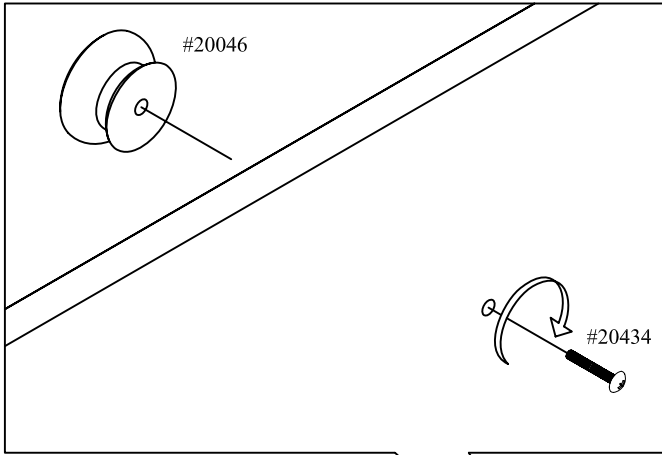


Maxwood Furniture

578 EAST BAY St., SUITE C, CHARLESTON SC., 29403,USA







Replacement Parts:

Replacement Parts may be obtained from any of our dealers.

Size of Mattress:

This bed is designed to use a mattress 74" – 75" (188cm – 191cm) long and 37½" – 38½" (95cm – 98cm) wide (Standard Twin size).

IMPORTANT:

Always remember to check and tighten loose bolts or hardware every month, as these may loosen with use over time.