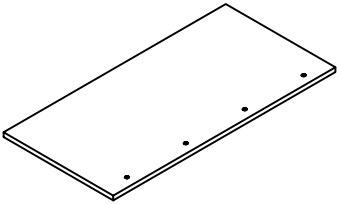
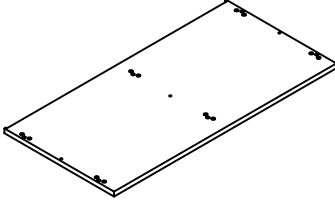
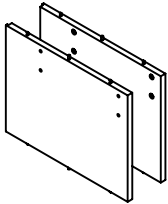
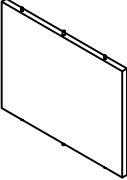
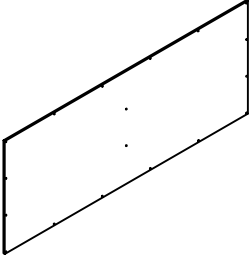

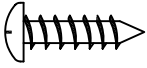
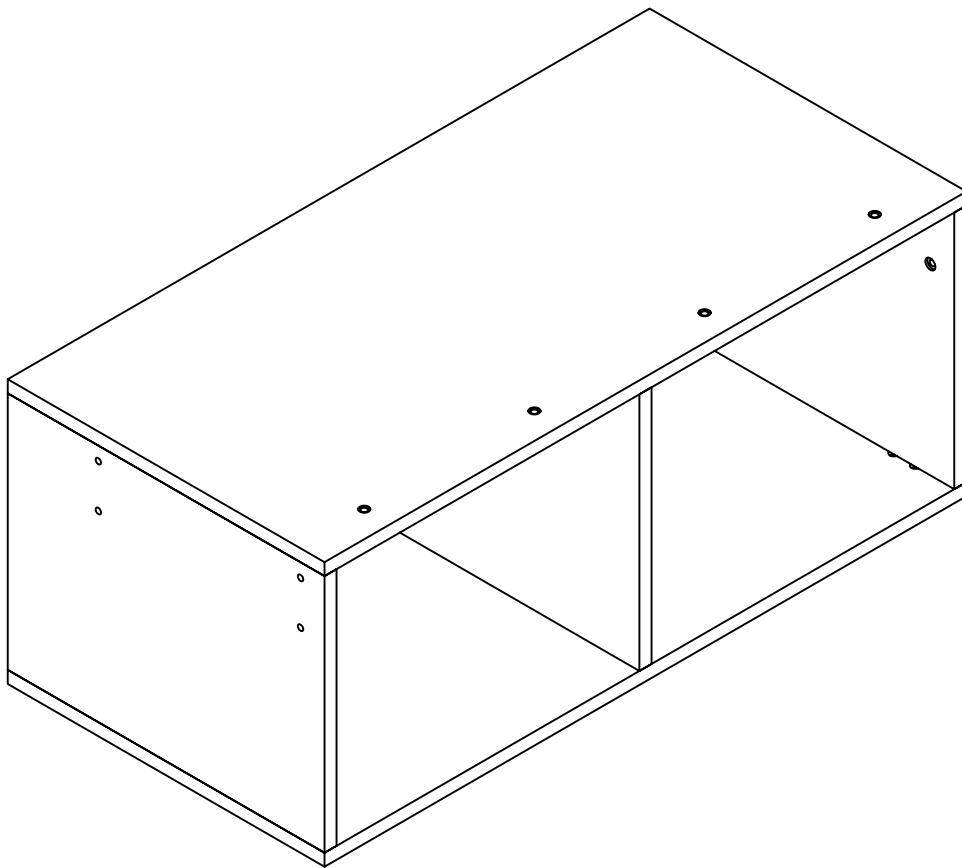


ASSEMBLY INSTRUCTION

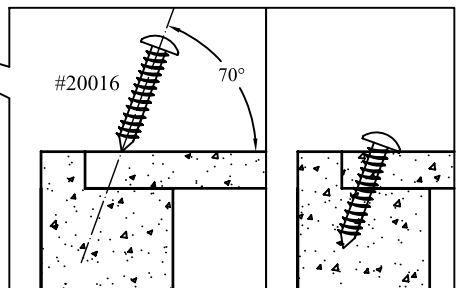
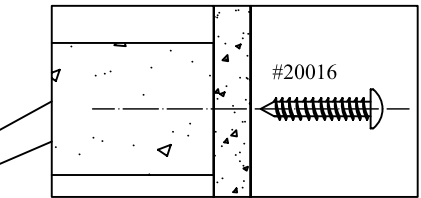
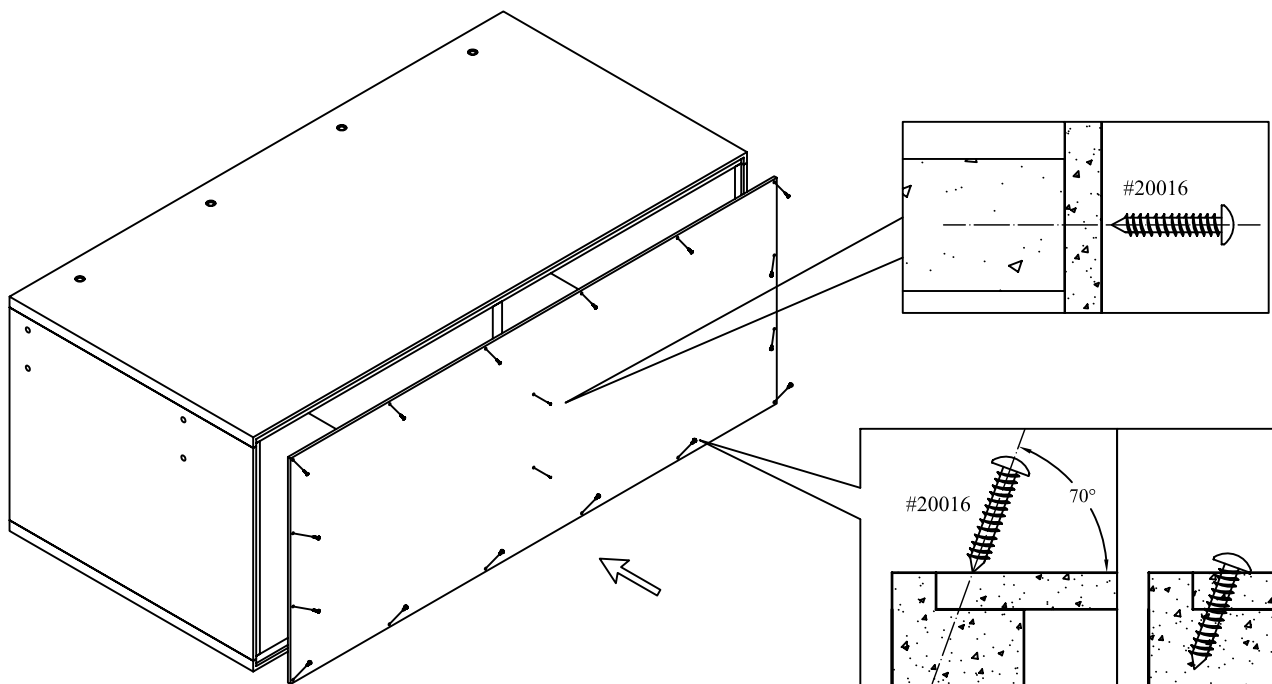
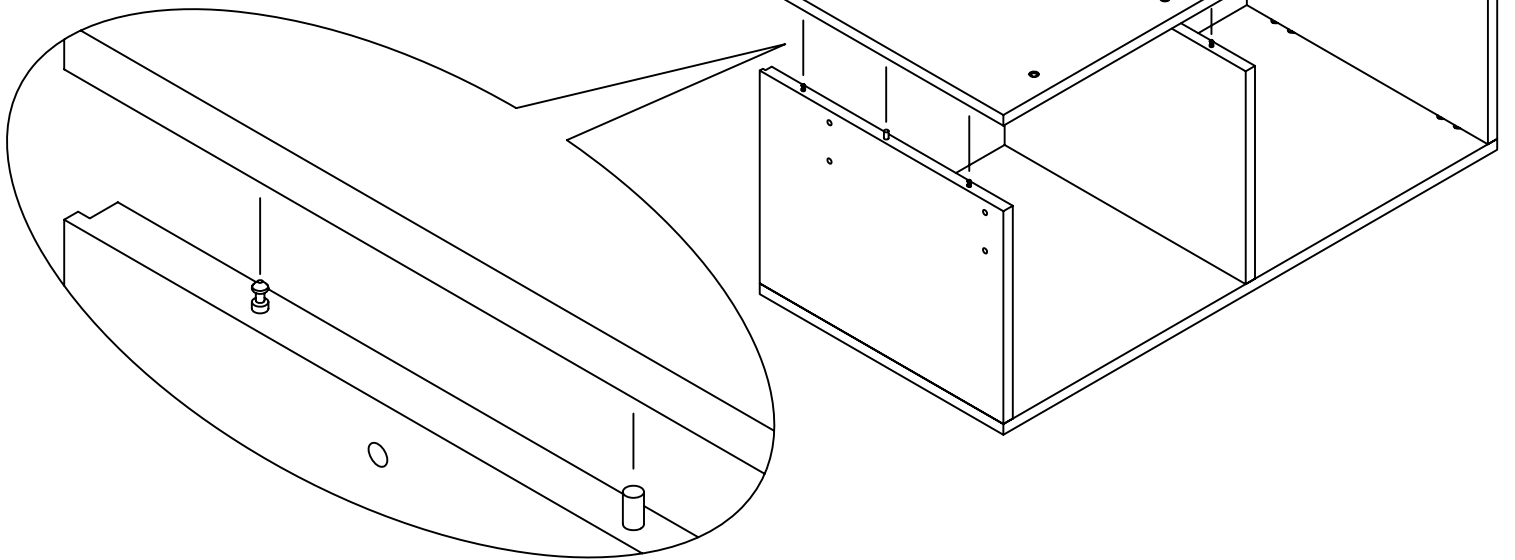
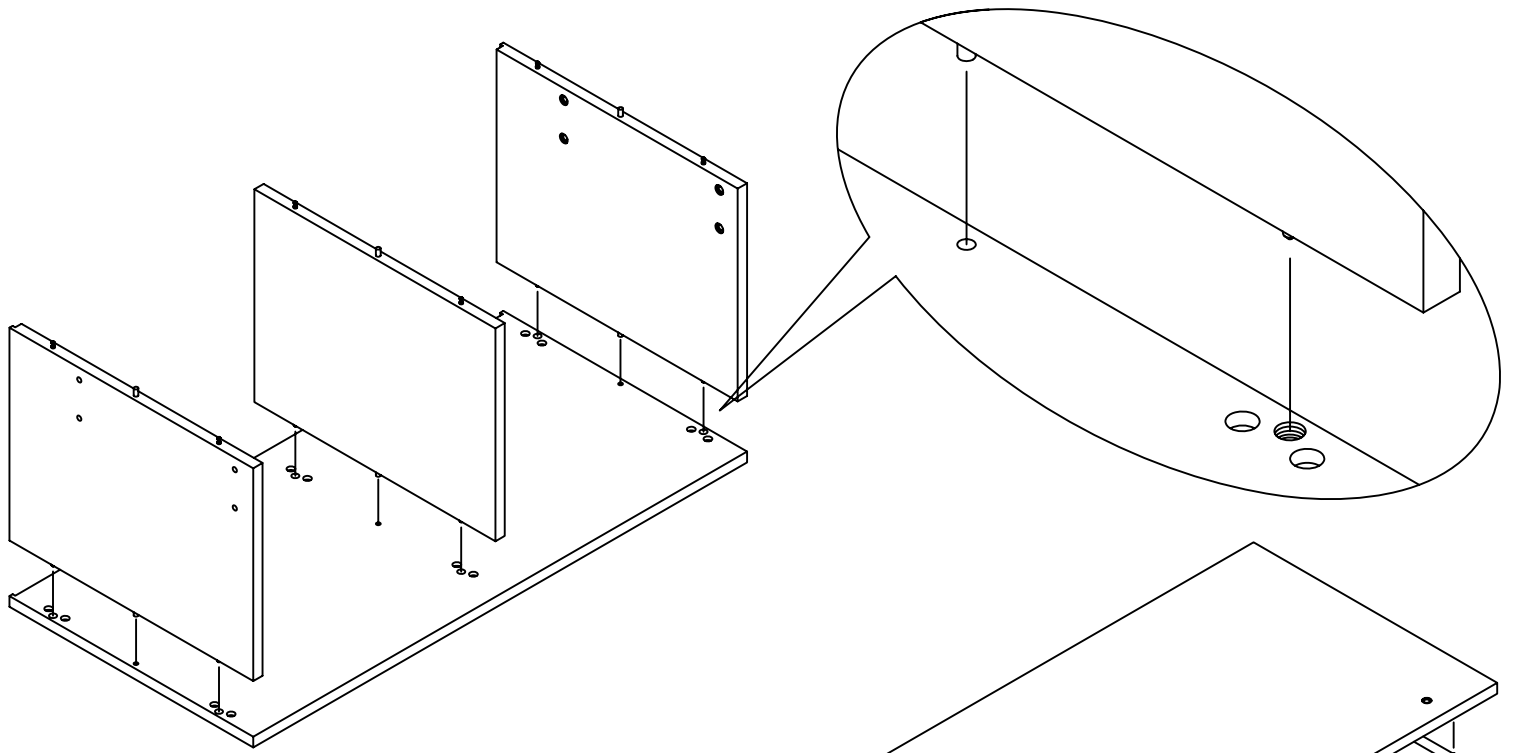
#14-0802

<p>#22094: Top</p> 	<p>1 x #22094</p>	<p>#22100: Bottom</p> 	<p>1 x #22100</p>	<p>#22102: Right side</p> 	<p>1 x #22101 1 x #22102</p>
<p>#22103: Permanent vertical shelf</p> 	<p>1 x #22103</p>	<p>#22104: Back panel</p> 	<p>1 x #22104</p>	<p>#22101: Left side #20401: Fork lever</p> 	<p>1 x #20401</p>
				<p>#20016: Wood screw</p> 	<p>18 x #20016</p>



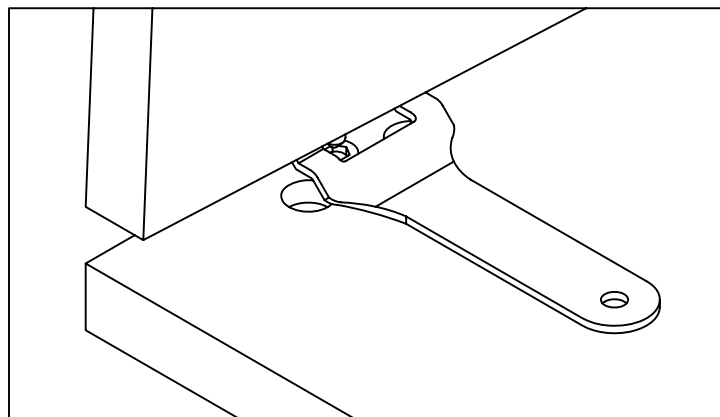
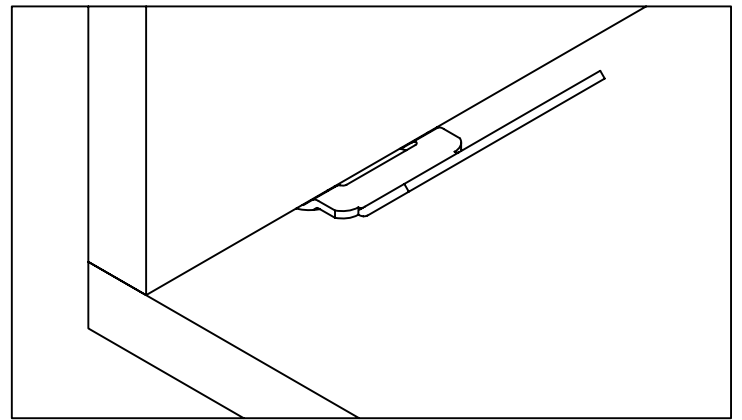
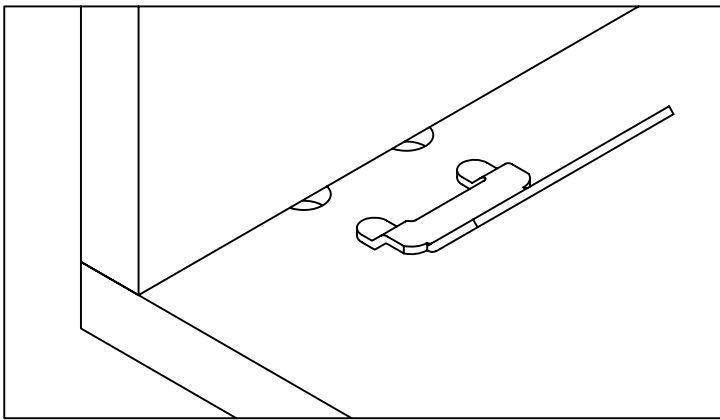
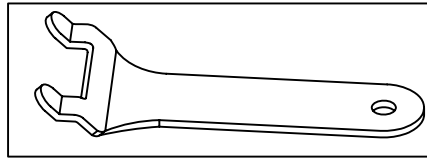
Maxwood Furniture

578 EAST BAY St., SUITE C, CHARLESTON SC., 29403,USA



Fork Lever Extraction Tool

For use with Extraction Holes (Blind Holes)



Place Fork Lever Tool into Extraction Holes and push down. Joint will un-latch. Repeat on all other joints in panel.

*****Make sure to disassemble your furniture in backwards sequence from the installation assembly**

Replacement Parts:

Replacement Parts may be obtained from any of our dealers.

Size of Mattress:

This bed is designed to use a mattress 74" – 75" (188cm – 191cm) long and 37½" – 38½" (95cm – 98cm) wide (Standard Twin size).

IMPORTANT:

Always remember to check and tighten loose bolts or hardware every month, as these may loosen with use over time.