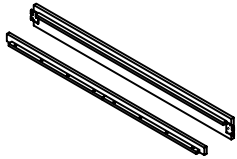
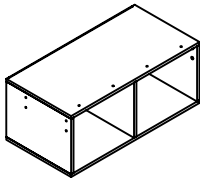
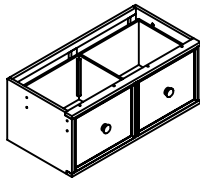
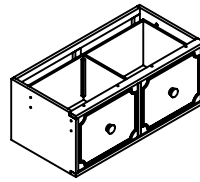

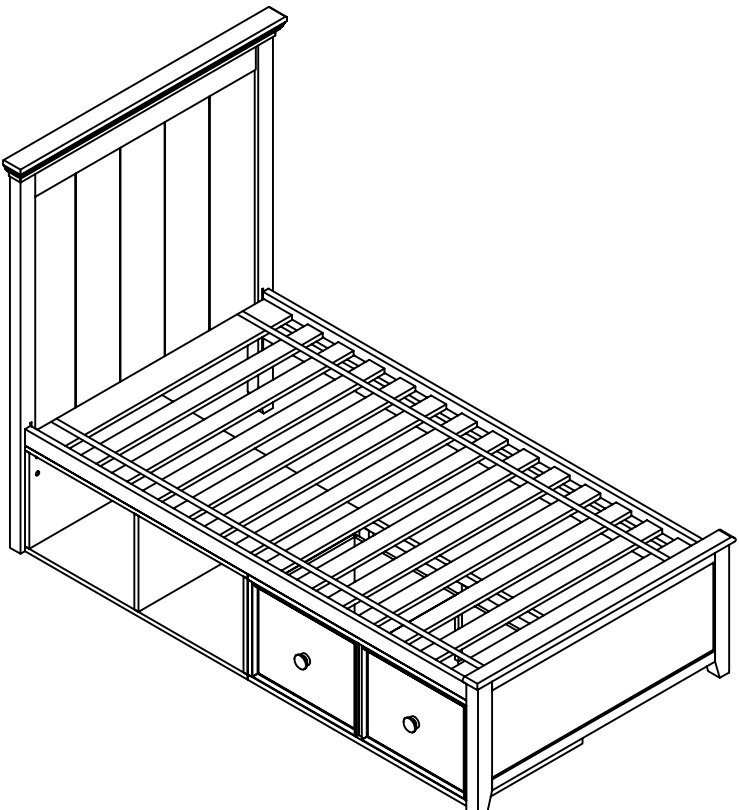




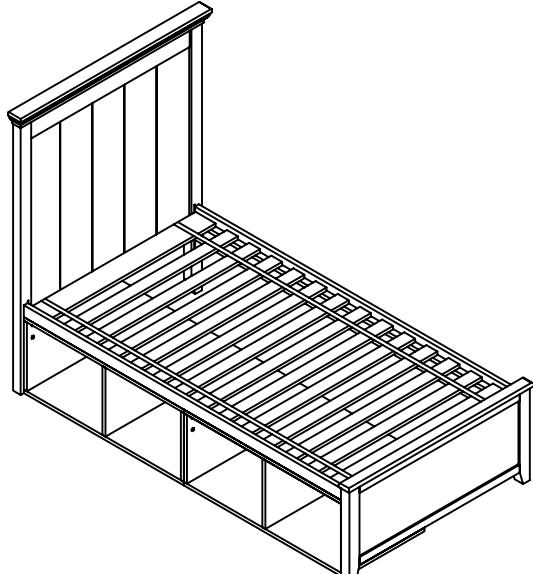
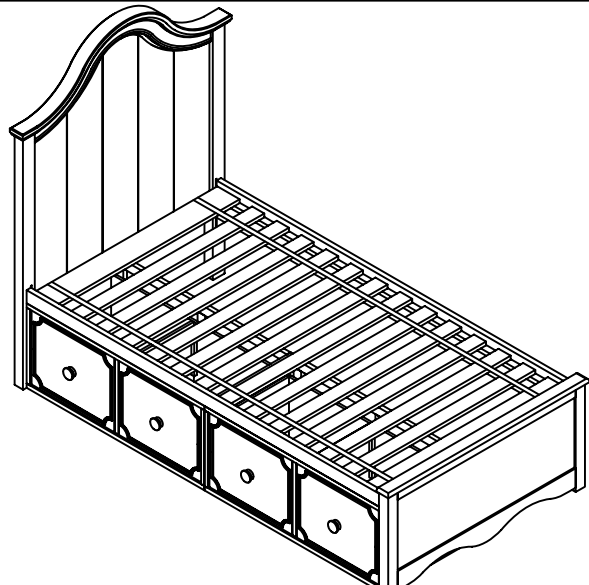


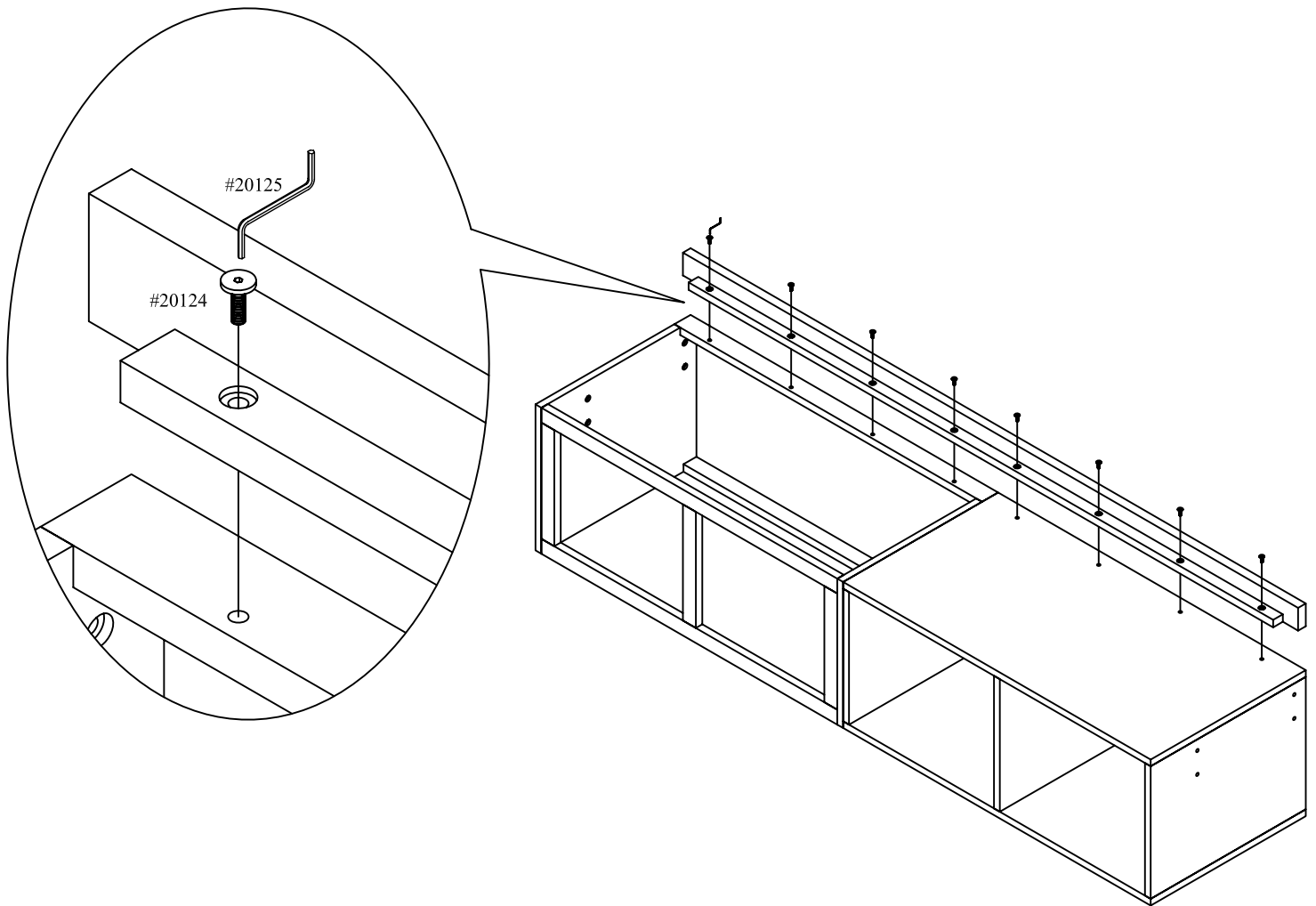
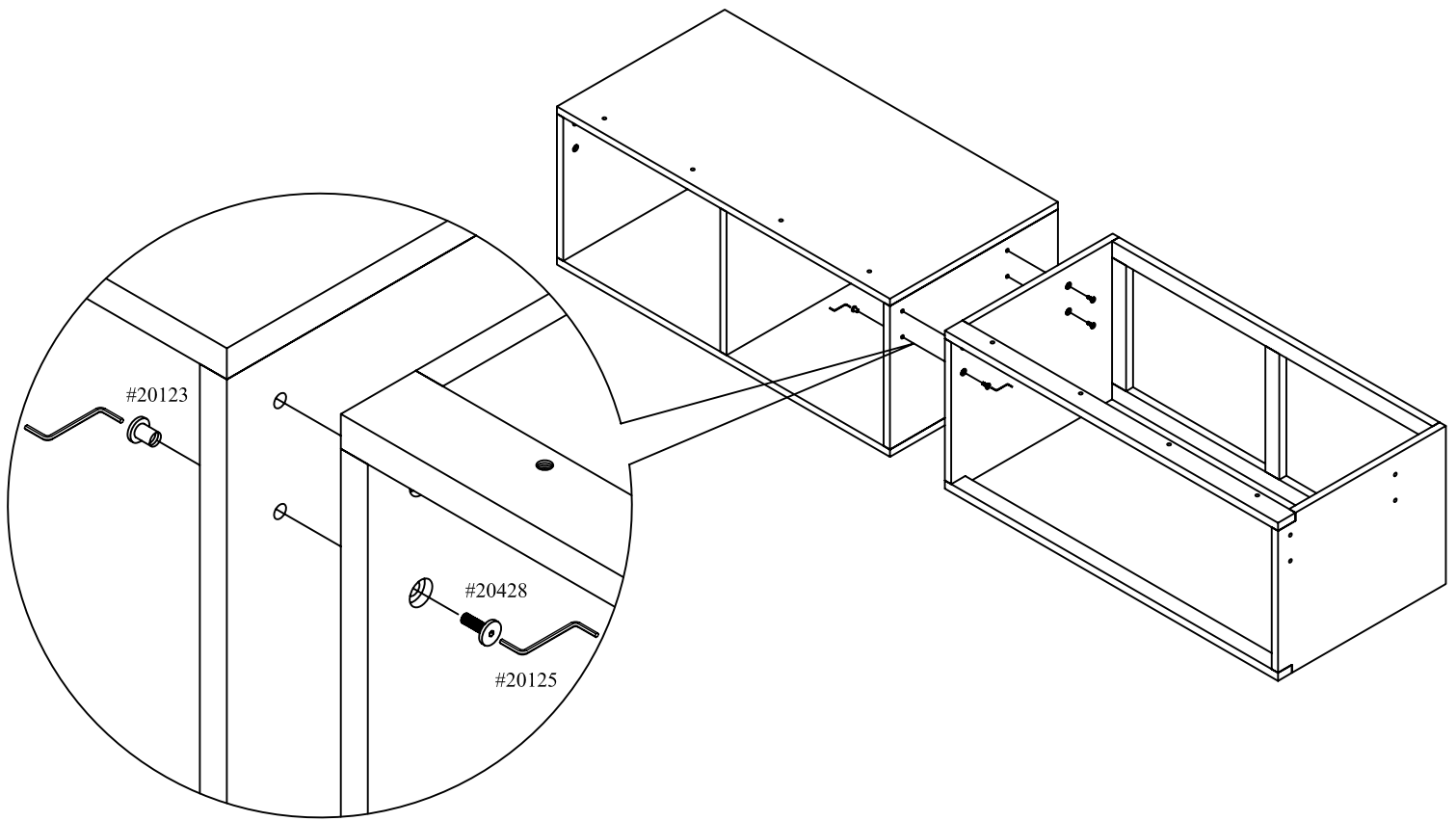
ASSEMBLY INSTRUCTION

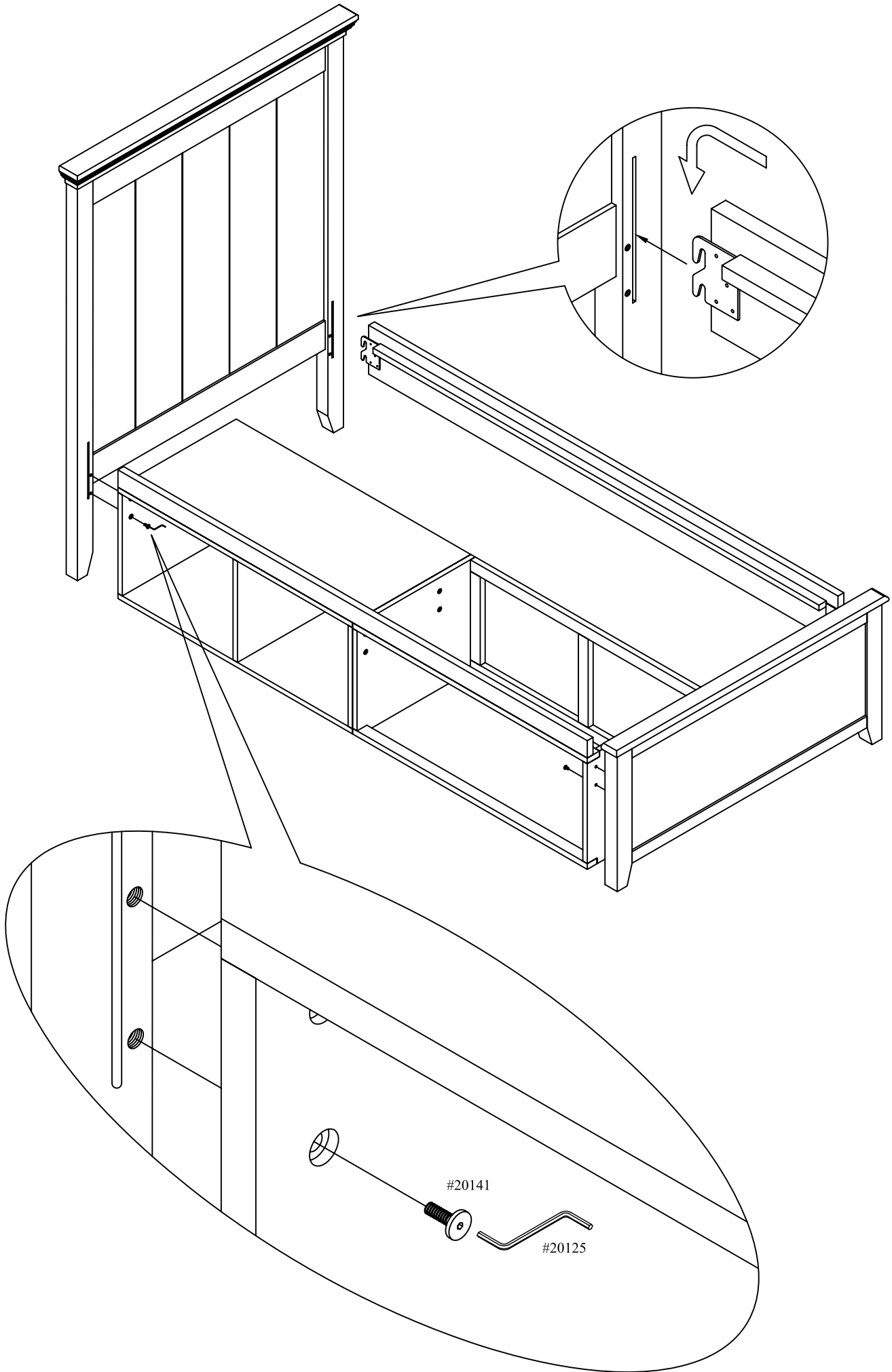
#14-0711

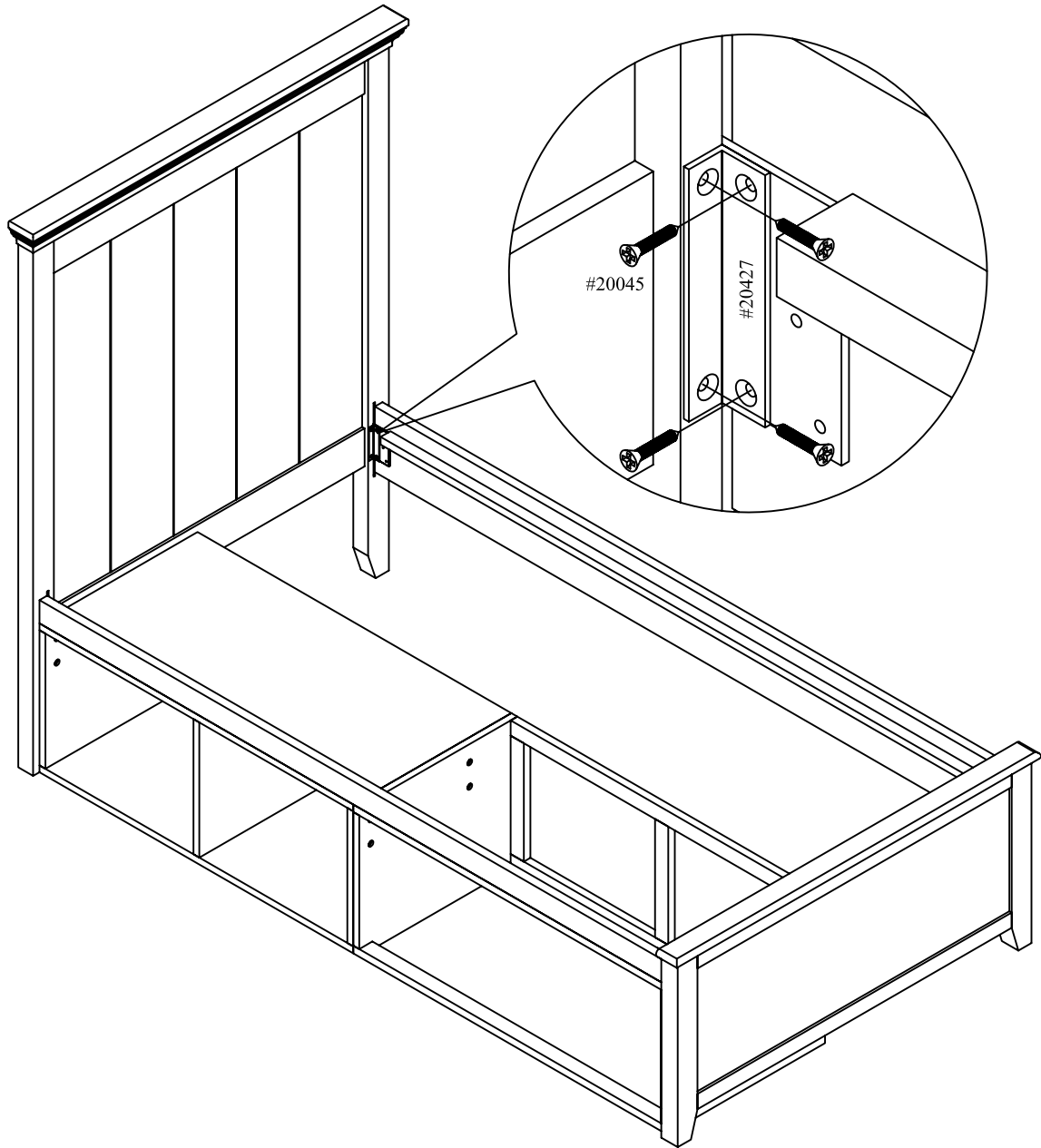
#14-0711	#14-0802	#14-0804 or #14-0801			
<p>#22087: Captains bed side rails</p>  <p>1 x #22087 1 x #22090</p> <p>#22090: Captains bed side rails</p>	<p>Captains bed cubbies</p>  <p>1 x #14-0802</p>	<p>Captains bed drawers</p>  <p>1 x #14-0804</p>		<p>Captains bed drawers</p>  <p>1 x #14-0801</p>	
<p>#20428: Bolt 6 x 25mm</p>  <p>4 x #20428</p>					
 <p>2 x #20427</p>					
<p>#20045: 19mm wood screw</p>  <p>8 x #20045</p>					
<p>#20123</p>  <p>4 x #20123 2 x #20125</p> <p>#20125: Hex wrench 4mm</p>					
<p>#20124: 30mm bolt #20141: 35mm bolt</p>  <p>8 x #20124 4 x #20141</p>					
					

Maxwood Furniture

578 EAST BAY St., SUITE C, CHARLESTON SC., 29403,USA



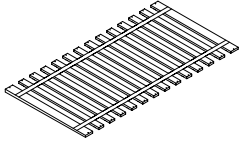




ASSEMBLY INSTRUCTION

#14-0200

Slat Roll

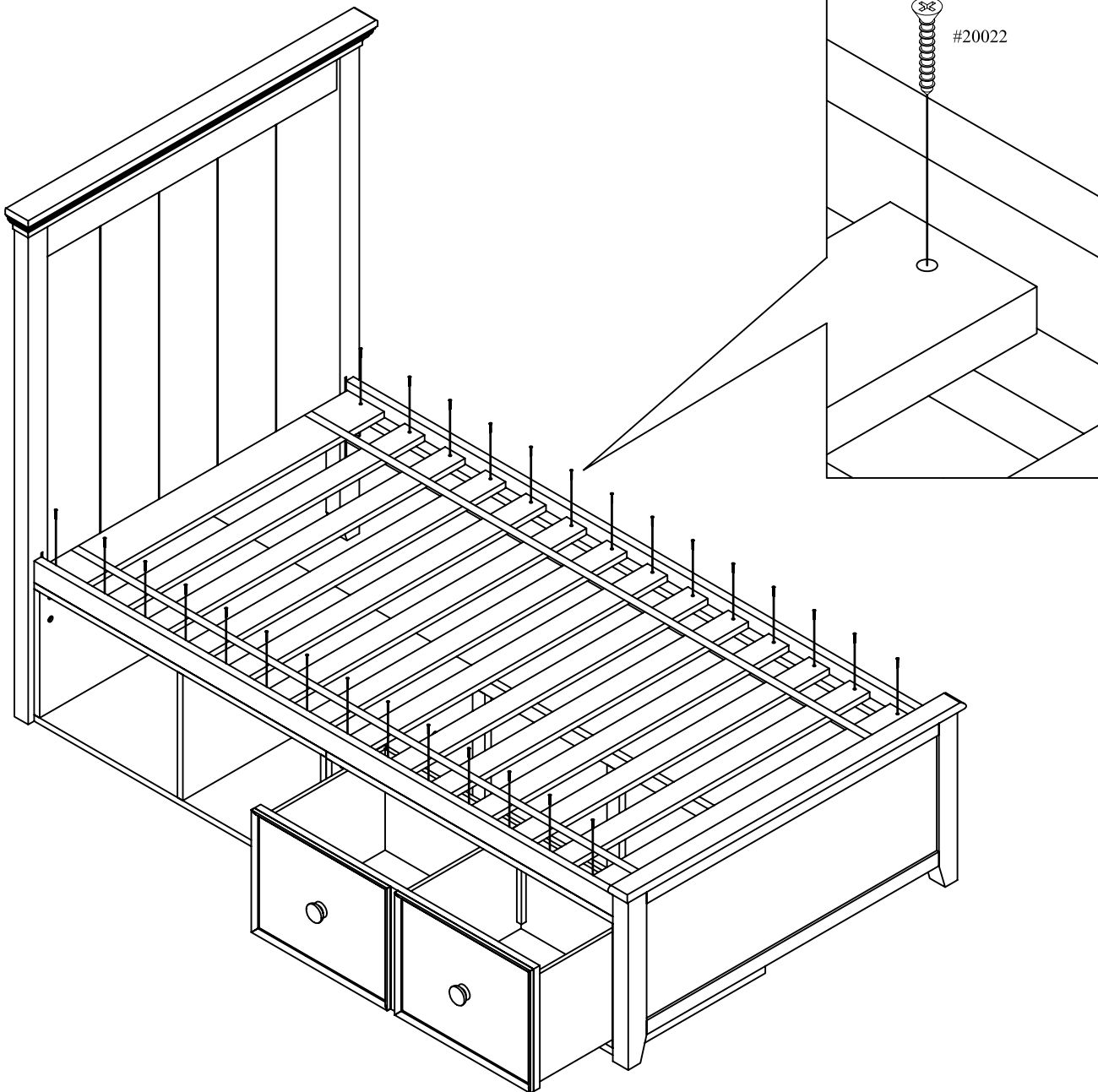


#14-0200
14 x slats

#20022: Wood Slat Screw



28 x #20022



Replacement Parts:

Replacement Parts may be obtained from any of our dealers.

Size of Mattress:

This bed is designed to use a mattress 74" – 75" (188cm – 191cm) long and 37½" – 38½" (95cm – 98cm) wide (Standard Twin size).

IMPORTANT:

Always remember to check and tighten loose bolts or hardware every month, as these may loosen with use over time.