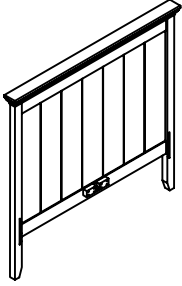
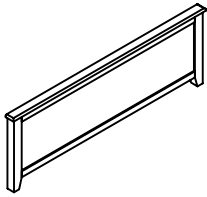
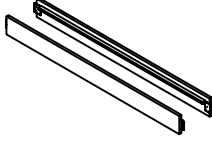
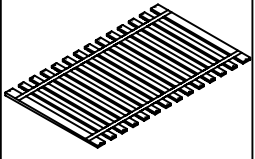



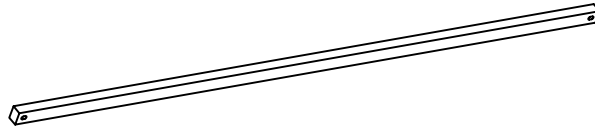


# ASSEMBLY INSTRUCTION

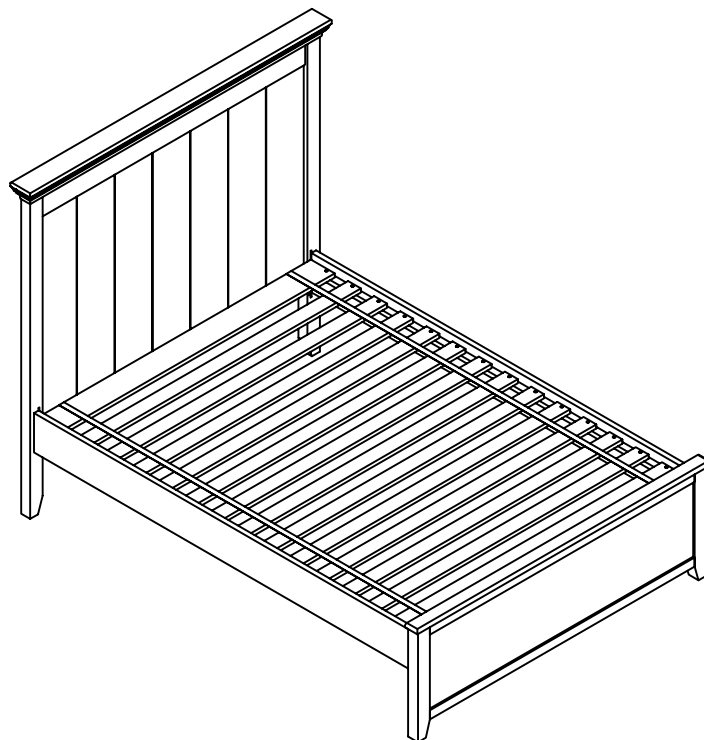
## #14-0307

#14-0307		#14-0308		#14-0710		#14-0400	
Plank Panel Headboard		Foot Panel		#22087: Bed side rails		Slat Roll	
	1 x #14-0307		1 x #14-0308		2 x #22087		#14-0400 14 x slats
				#20427:		#20022: Wood Slat Screw	
					4 x #20427		28 x #20022
				#20045: 19mm wood screw			
					16 x #20045		

### #50 UNDERBED SUPPORT BEAM

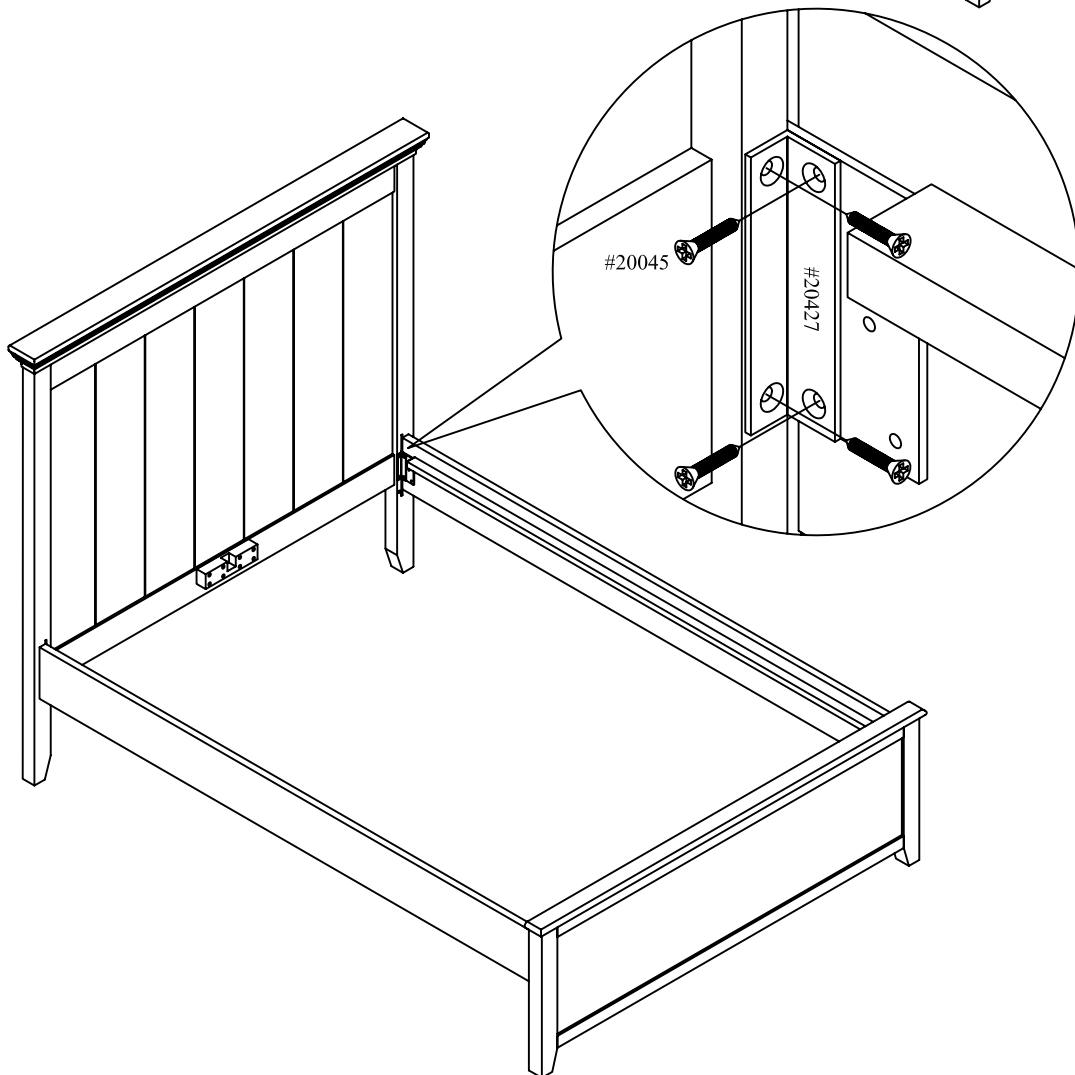
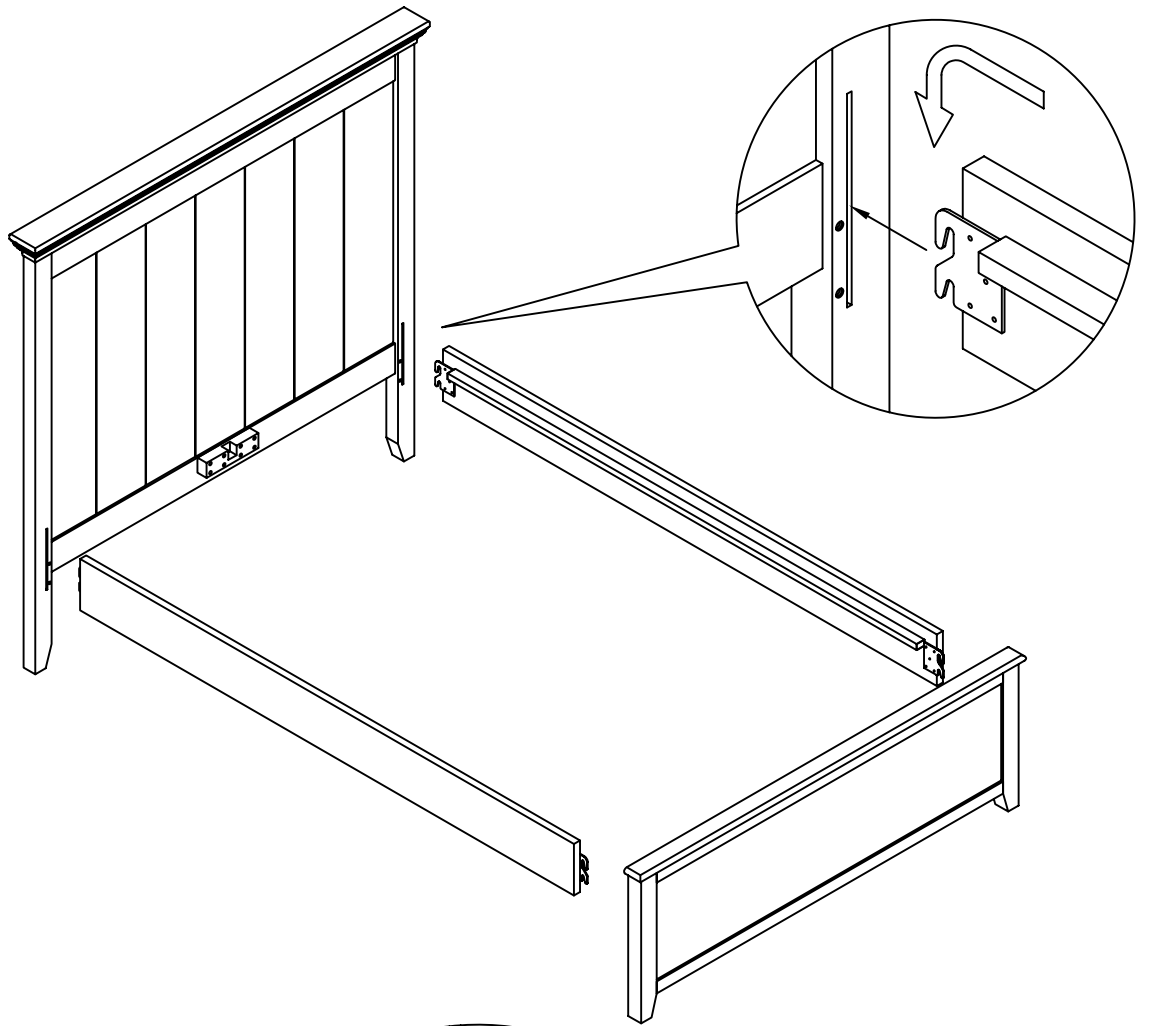


1 x #50

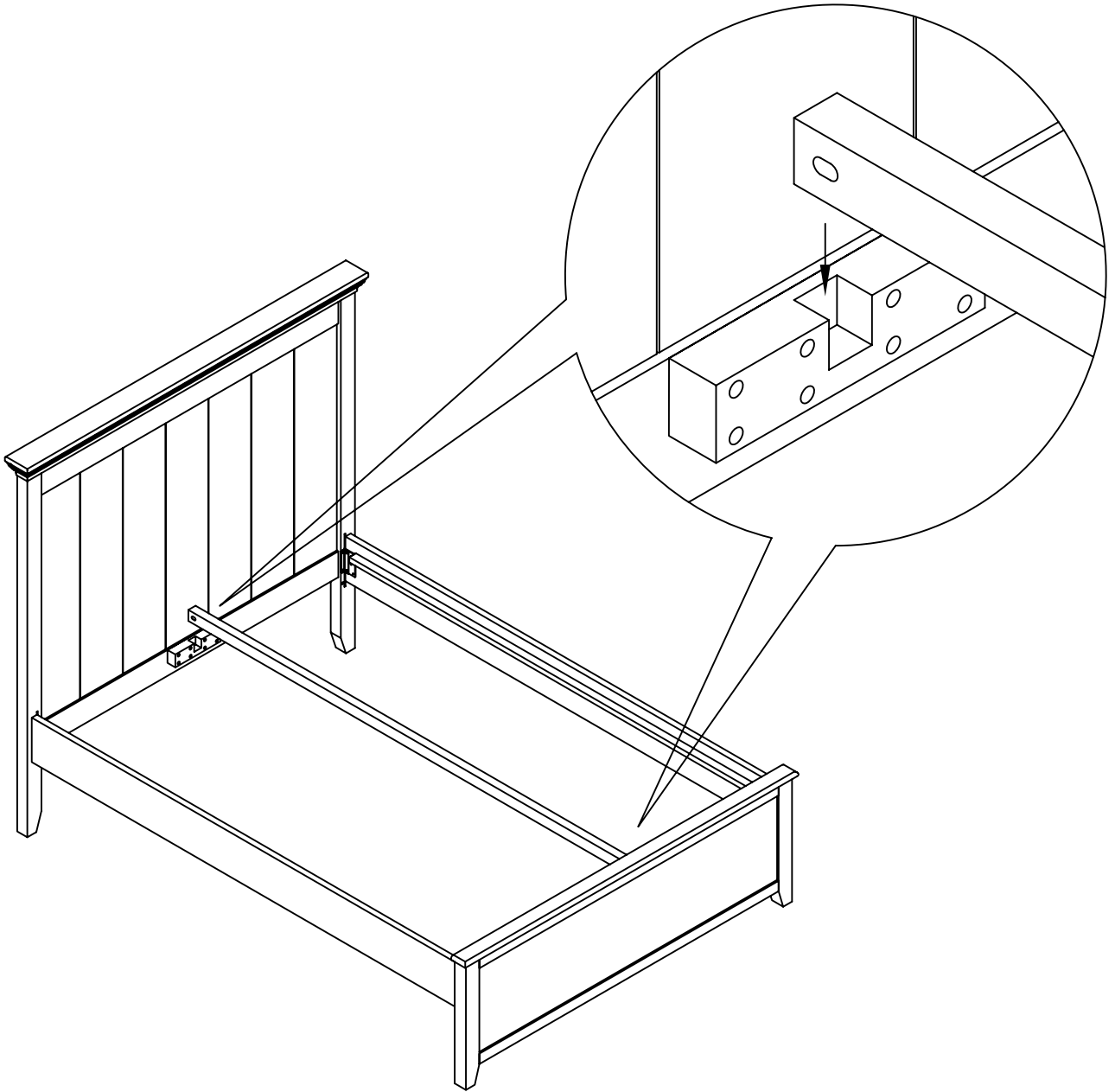


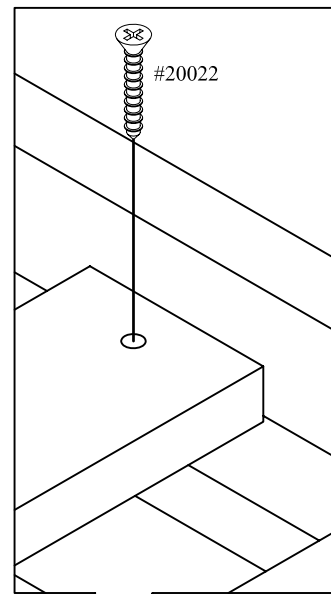
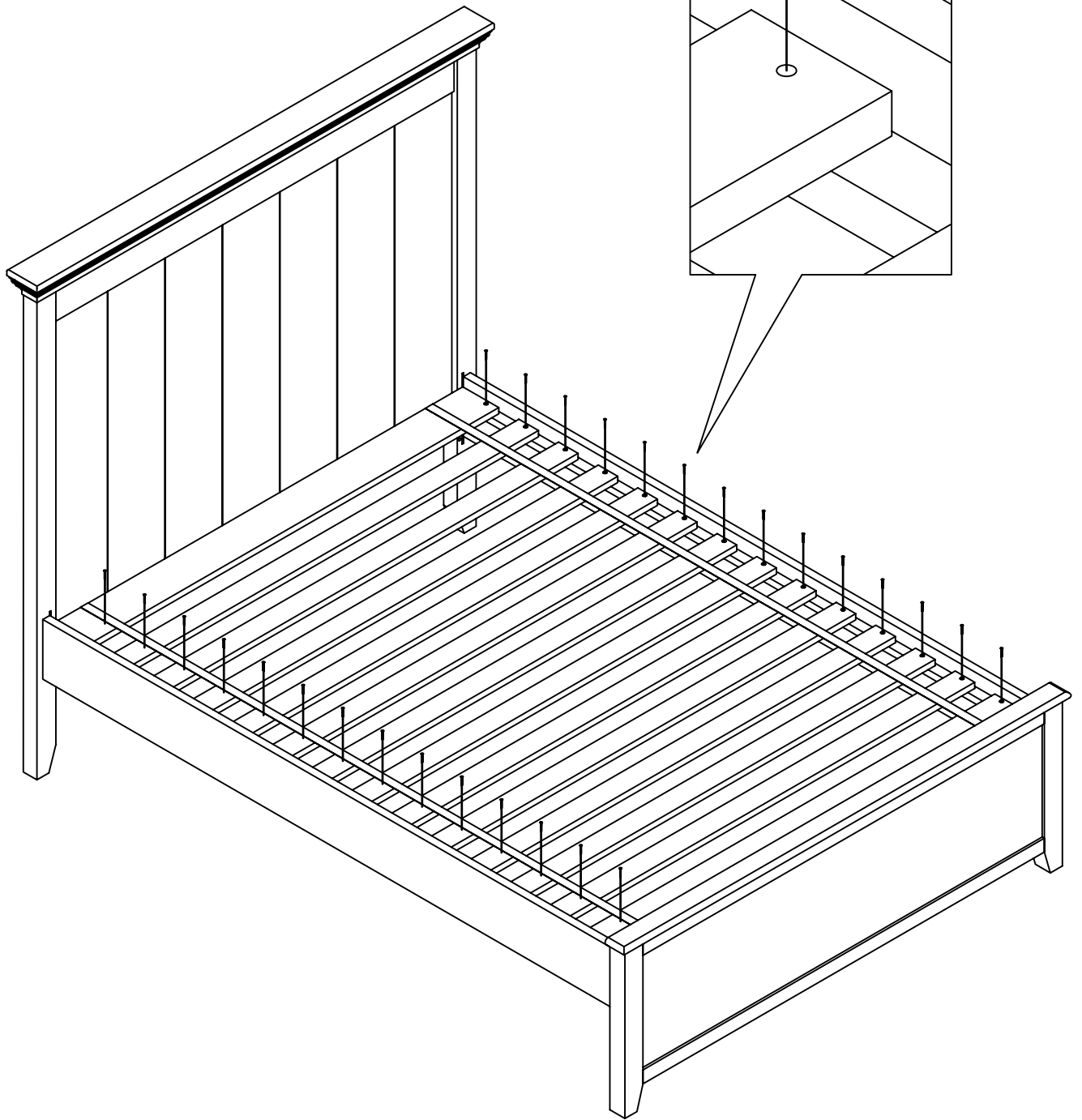
**Maxwood Furniture**

578 EAST BAY St., SUITE C, CHARLESTON SC., 29403, USA



**#50 UNDERBED SUPPORT BEAM**





**Replacement Parts:**

Replacement Parts may be obtained from any of our dealers.

**Size of Mattress:**

This bed is designed to use a mattress 74" – 75" (188cm – 191cm) long and 37½" – 38½" (95cm – 98cm) wide (Standard Twin size).

**IMPORTANT:**

Always remember to check and tighten loose bolts or hardware every month, as these may loosen with use over time.