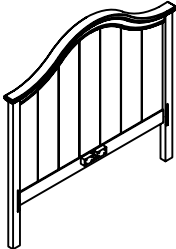
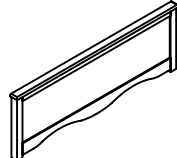
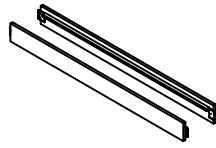
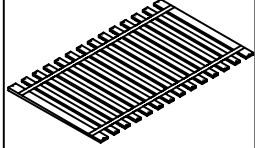



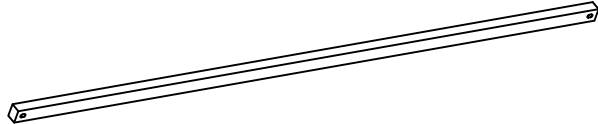


ASSEMBLY INSTRUCTION

#14-0303

| #14-0303 | | #14-0304 | | #14-0710 | | #14-0400 | |
|----------------------------------------------------------------------------------|--------------|-----------------------------------------------------------------------------------|--------------|------------------------------------------------------------------------------------|-------------|-------------------------------------------------------------------------------------|------------------------|
| Curve Panel Headboard | | Foot Panel | | #22087: Bed side rails | | Slat Roll | |
|  | 1 x #14-0303 |  | 1 x #14-0304 |  | 2 x #22087 |  | #14-0400 14 x slats |
| | | | | #20427: | | #20022: Wood Slat Screw | |
| | | | |  | 4 x #20427 |  | 28 x #20022 |
| | | | | #20045: 19mm wood screw | | | |
| | | | |  | 16 x #20045 | | |

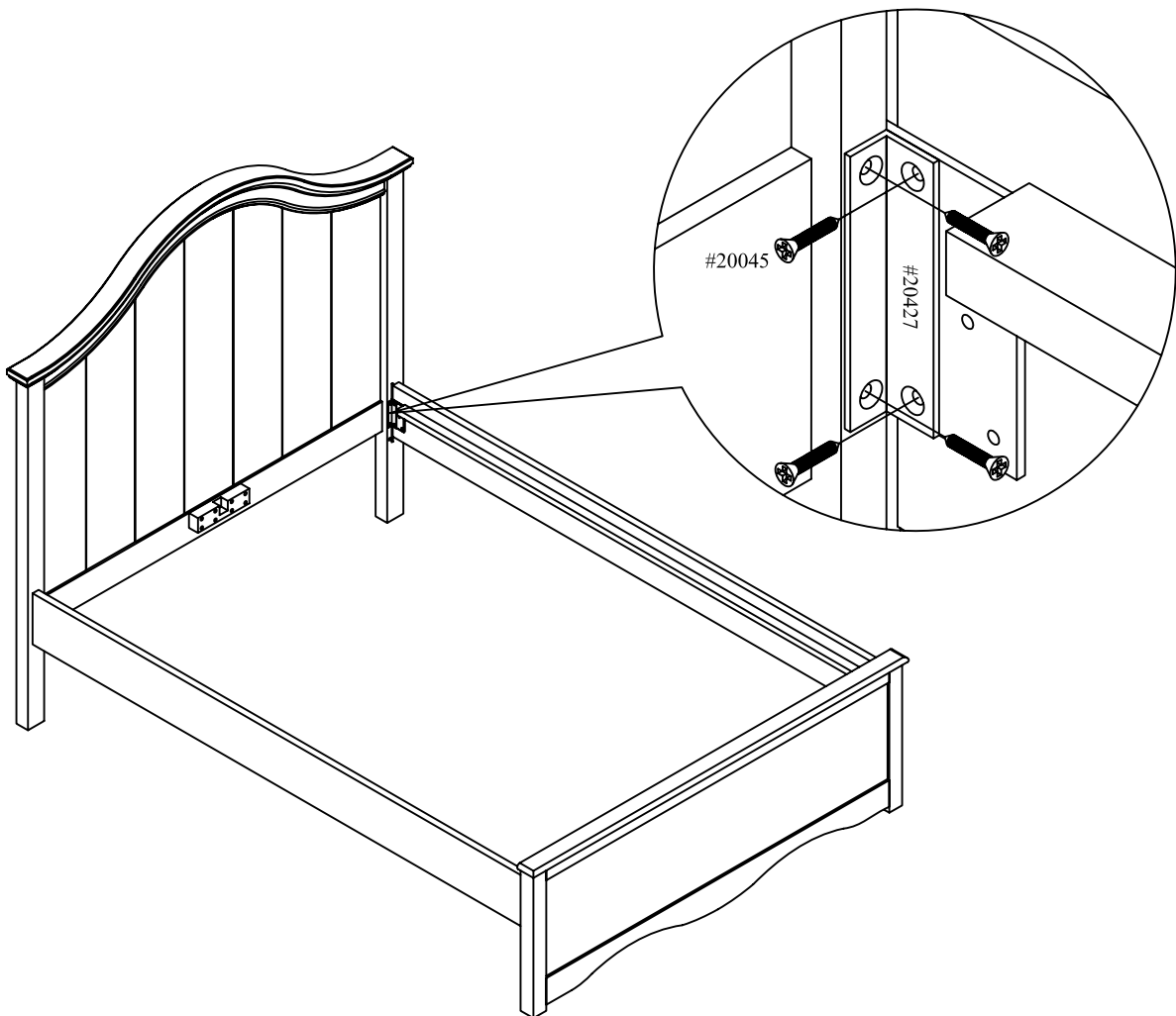
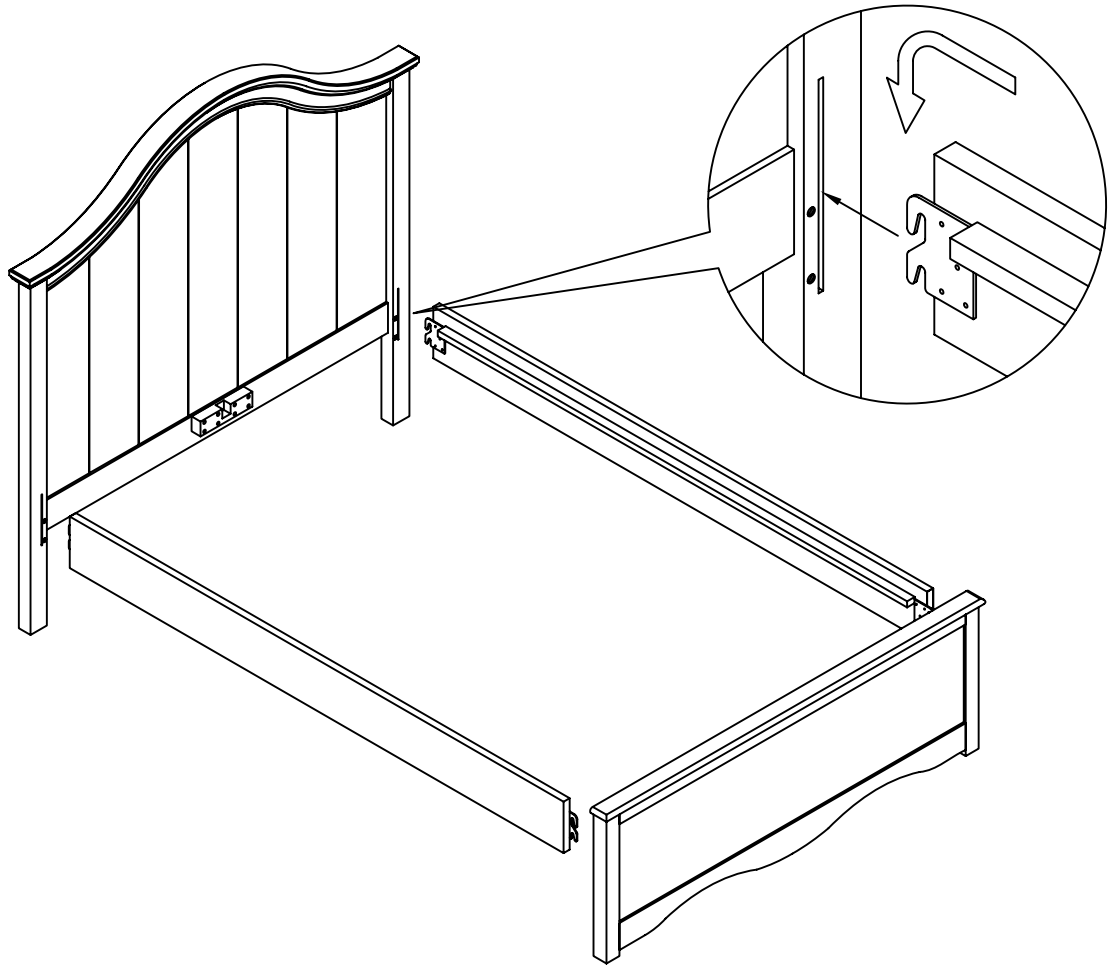
#50 UNDERBED SUPPORT BEAM

| | |
|--------------------------------------------------------------------------------------|---------|
|  | 1 x #50 |
|--------------------------------------------------------------------------------------|---------|

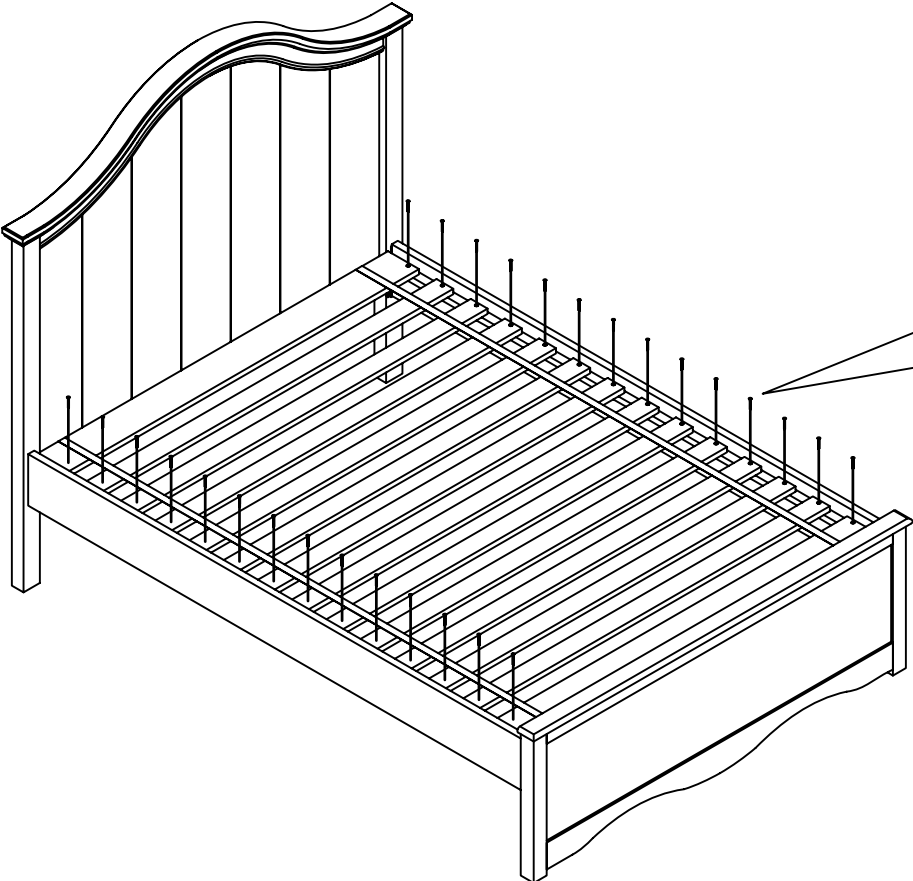
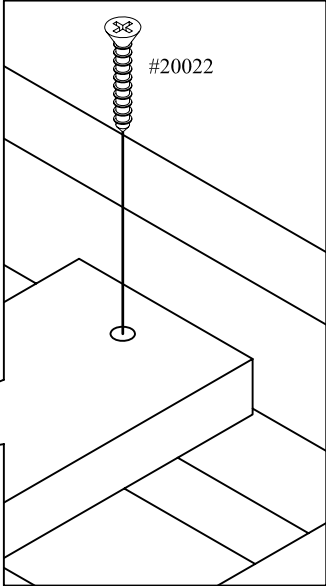
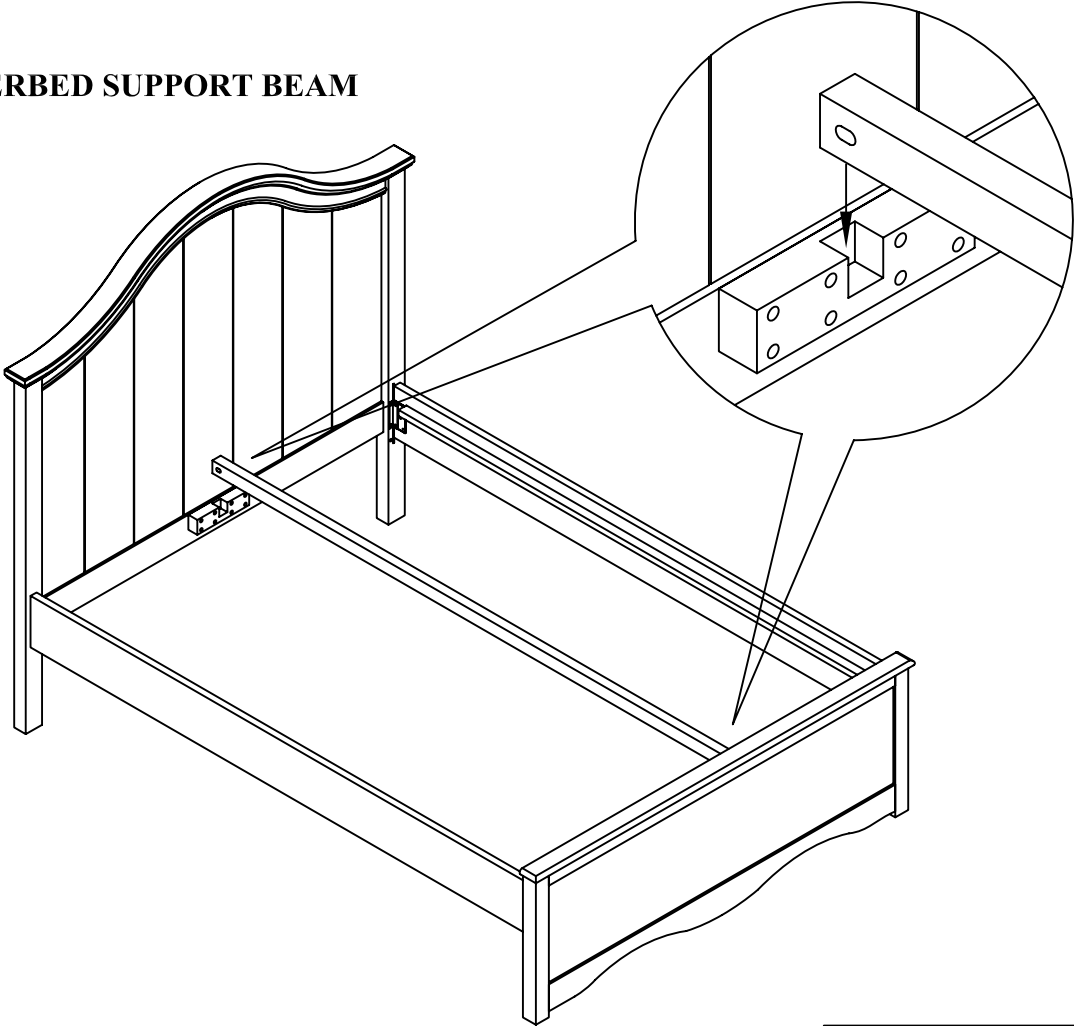


Maxwood Furniture

578 EAST BAY St., SUITE C, CHARLESTON SC., 29403, USA



#50 UNDERBED SUPPORT BEAM



Replacement Parts:

Replacement Parts may be obtained from any of our dealers.

Size of Mattress:

This bed is designed to use a mattress 74" – 75" (188cm – 191cm) long and 37½" – 38½" (95cm – 98cm) wide (Standard Twin size).

IMPORTANT:

Always remember to check and tighten loose bolts or hardware every month, as these may loosen with use over time.