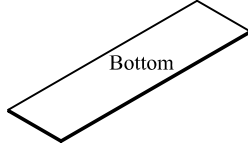
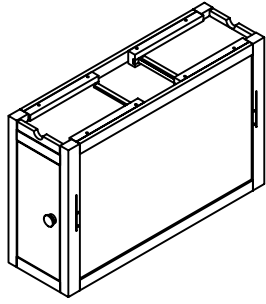


ASSEMBLY INSTRUCTION

#14-0106

#14-0106

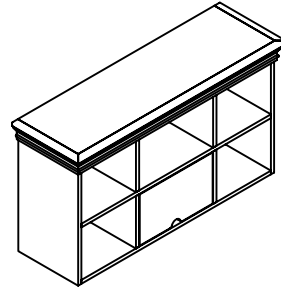
Bookcase HB Bottom



1 x
#14-0106

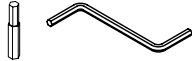
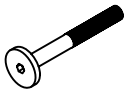
#14-0105

Bookcase HB Top



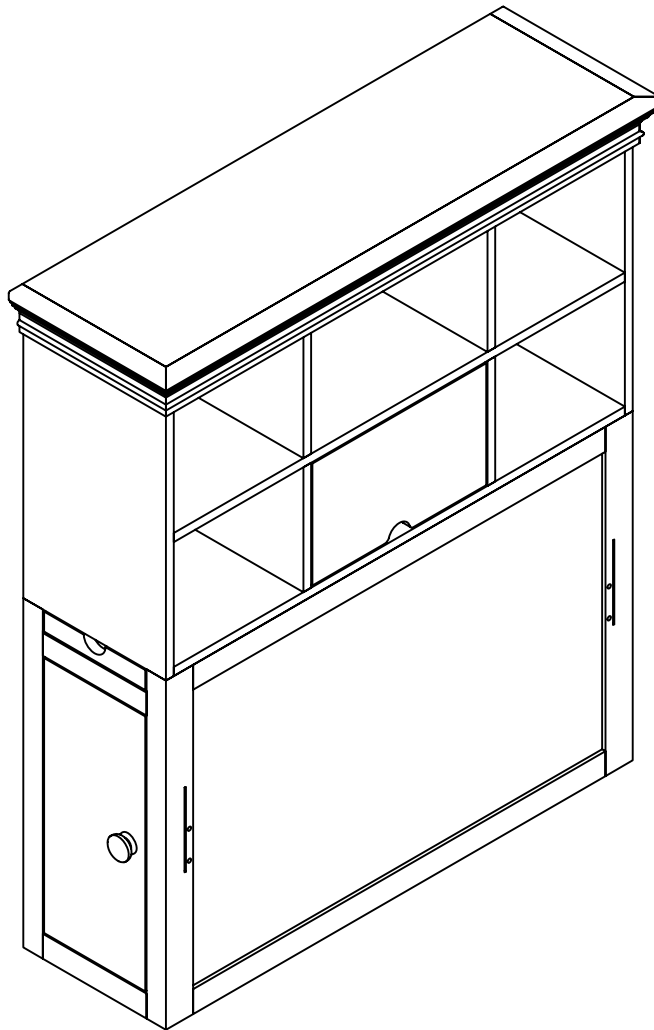
1 x
#14-0105

#22029: M6 65mm hex bolt



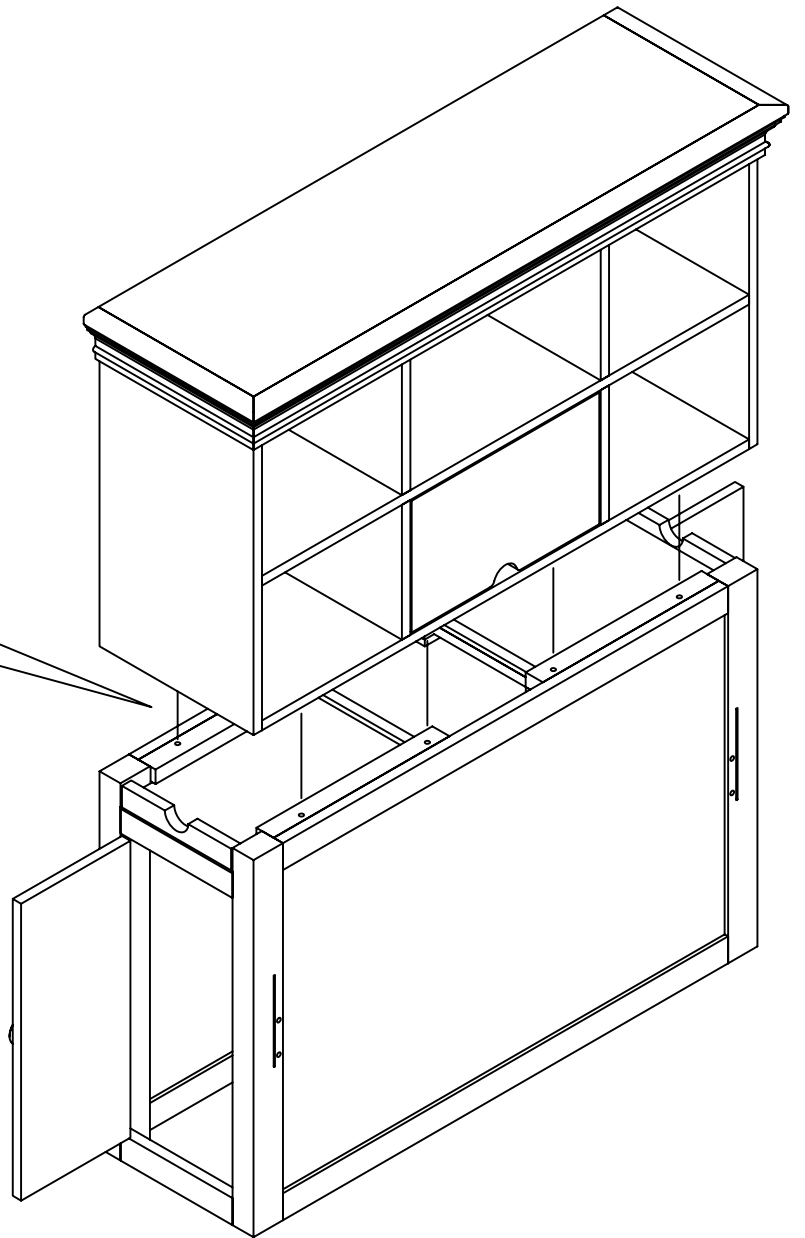
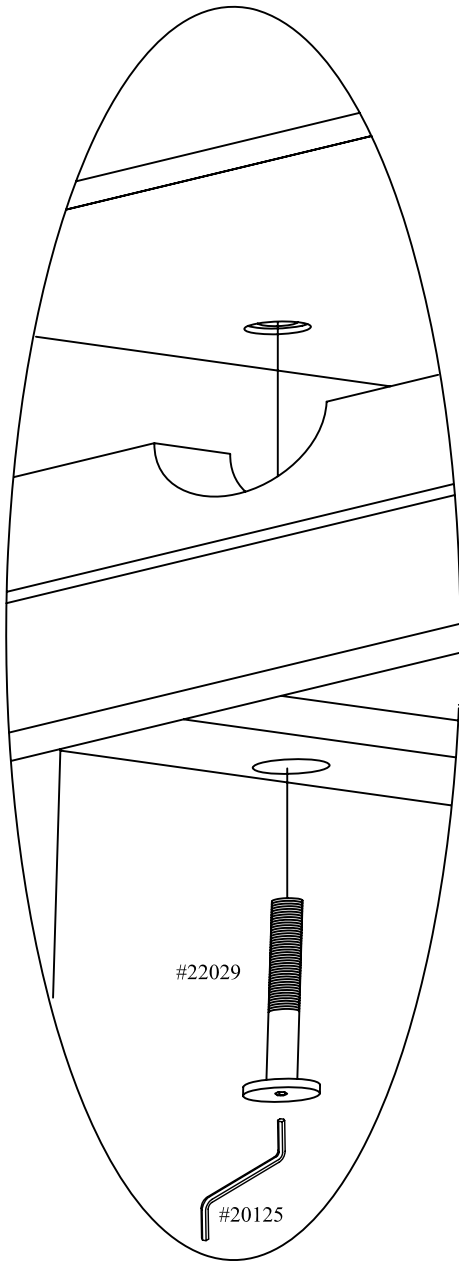
8 x #22029
1 x #20125
1 x #20574

#20125: Hex wrench 4mm
#20574: Drill Bit

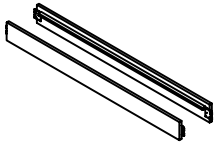
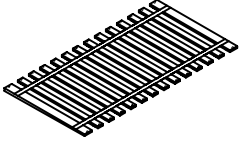
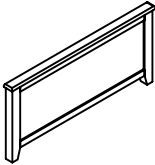





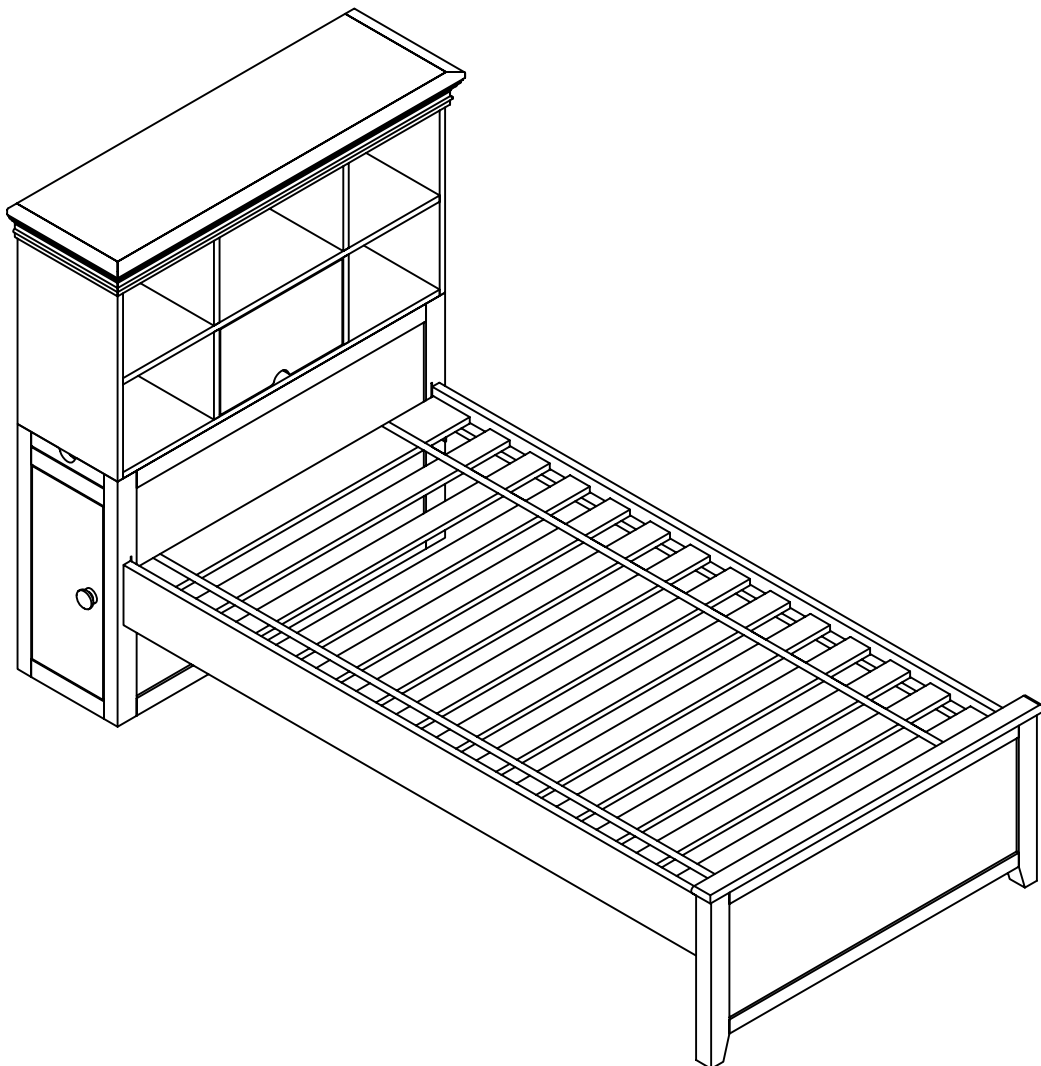
Maxwood Furniture

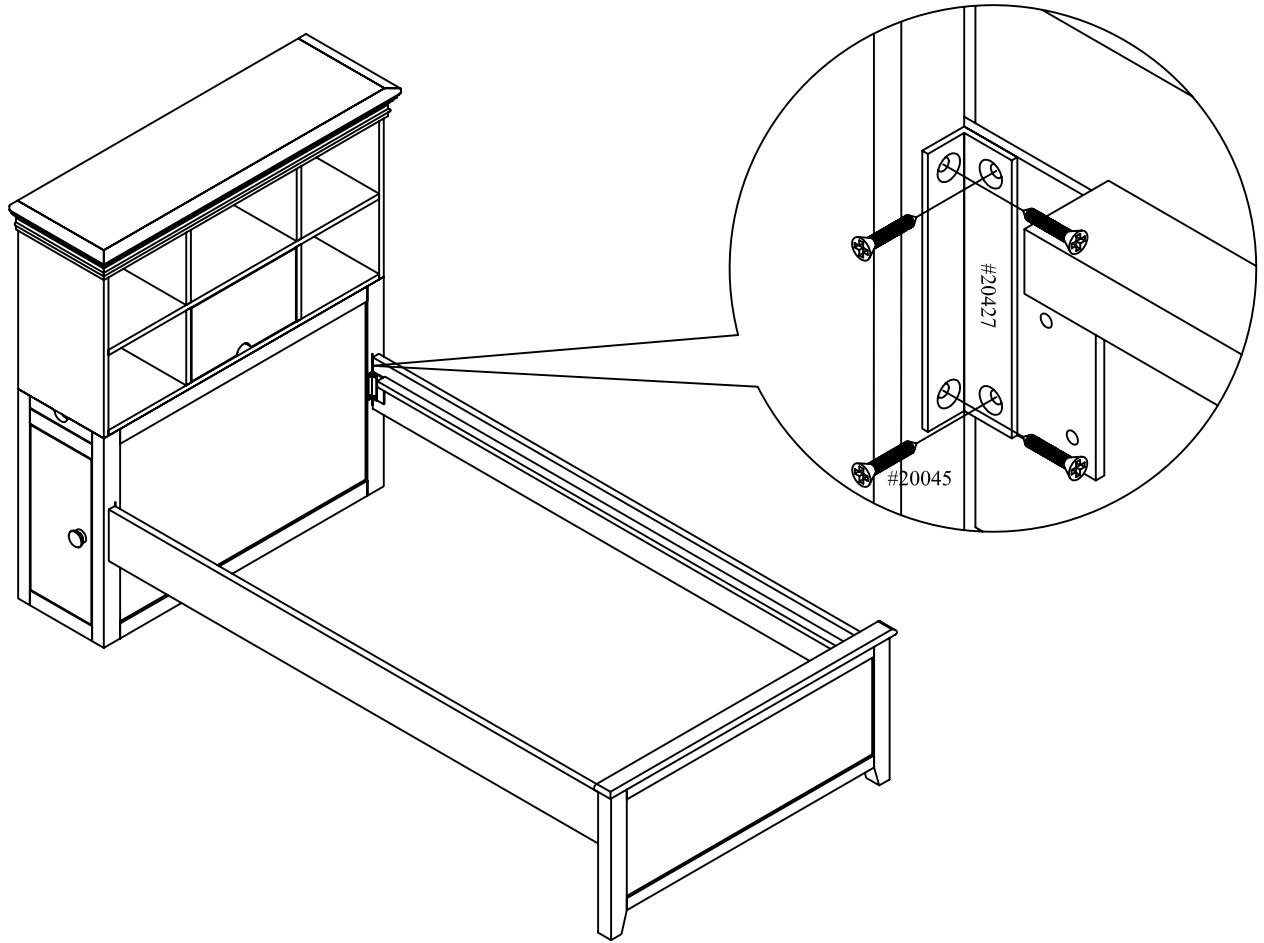
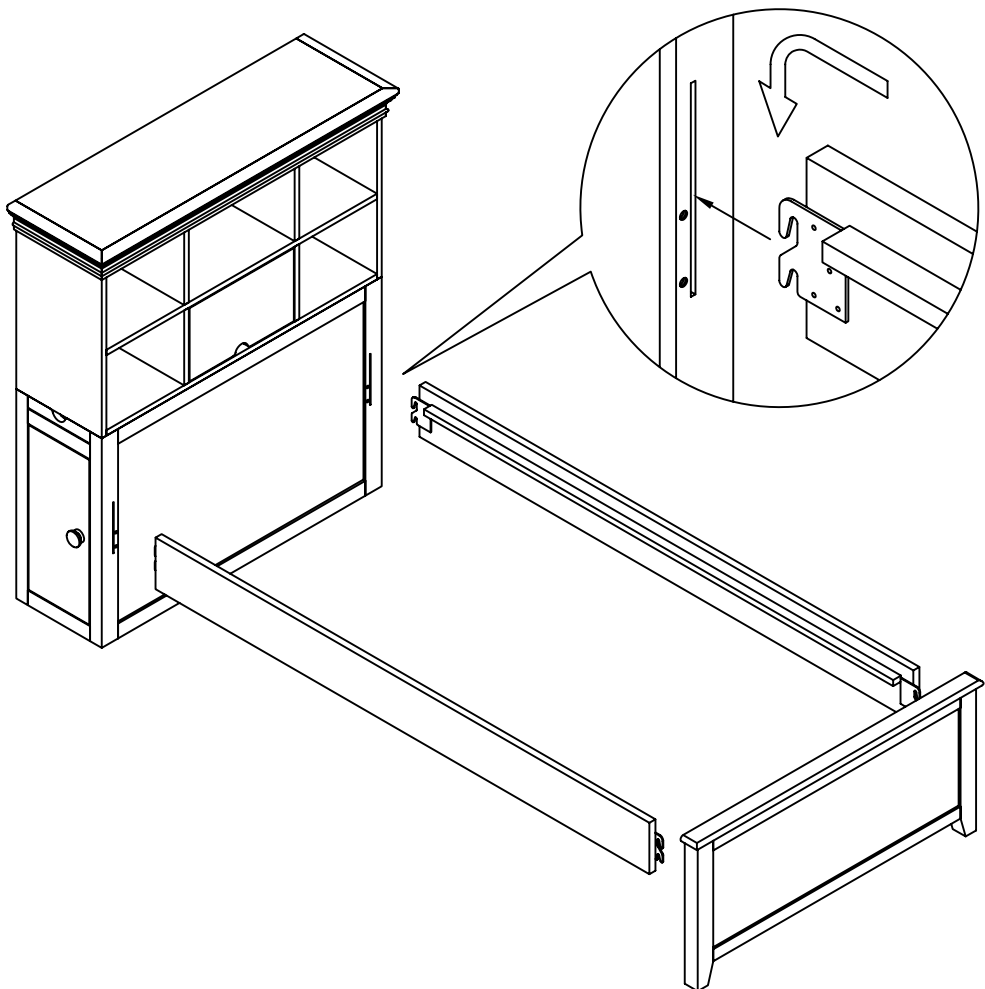
578 EAST BAY St., SUITE C, CHARLESTON SC., 29403, USA

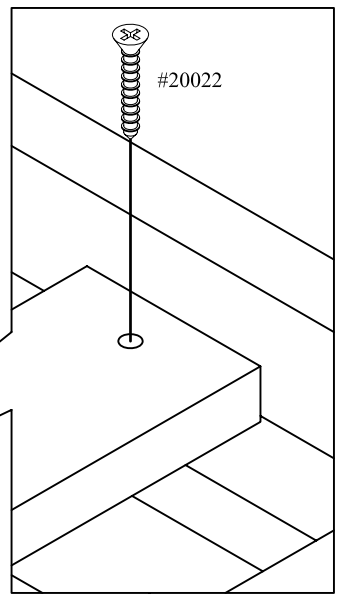
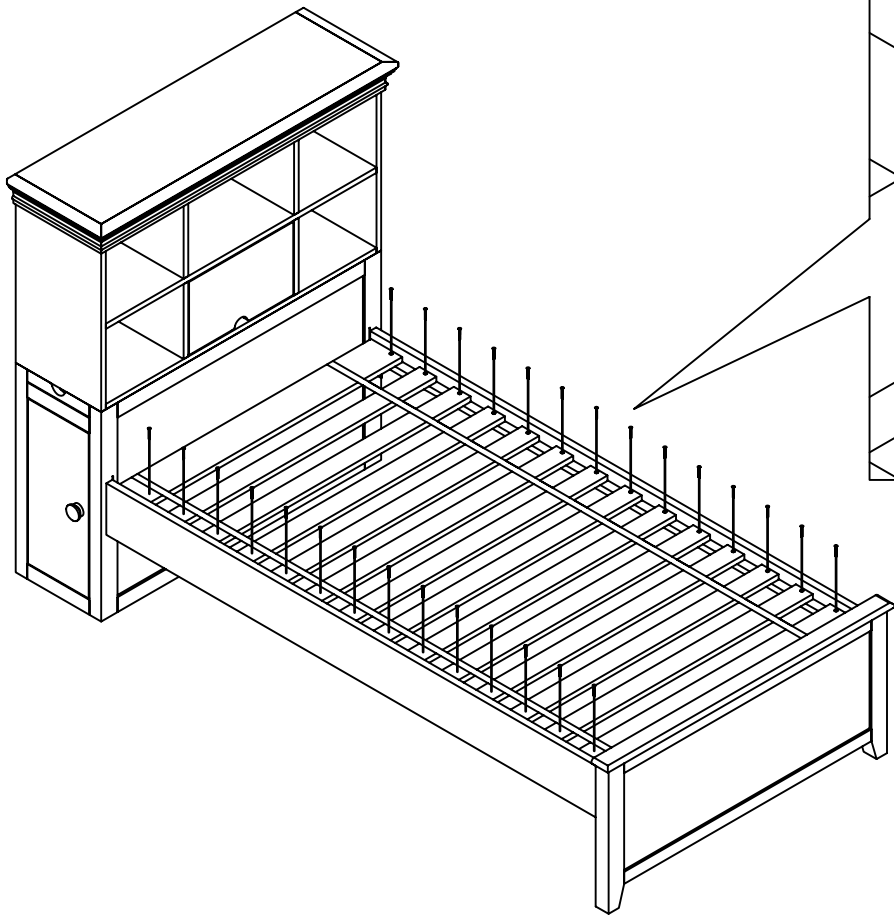


ASSEMBLY INSTRUCTION

#14-0710		#14-0200		#14-0108			
#22087: Bed side rails 	2 x #22087	Slat Roll 	#14-0200 14 x slats	Foot Panel 	1 x #14-0108		
#20427: 	4 x #20427	#20022: Wood Slat Screw 	28 x #20022				
#20045: 19mm wood screw 	16 x #20045						







#20022

Replacement Parts:

Replacement Parts may be obtained from any of our dealers.

Size of Mattress:

This bed is designed to use a mattress 74" – 75" (188cm – 191cm) long and 37½" – 38½" (95cm – 98cm) wide (Standard Twin size).

IMPORTANT:

Always remember to check and tighten loose bolts or hardware every month, as these may loosen with use over time.