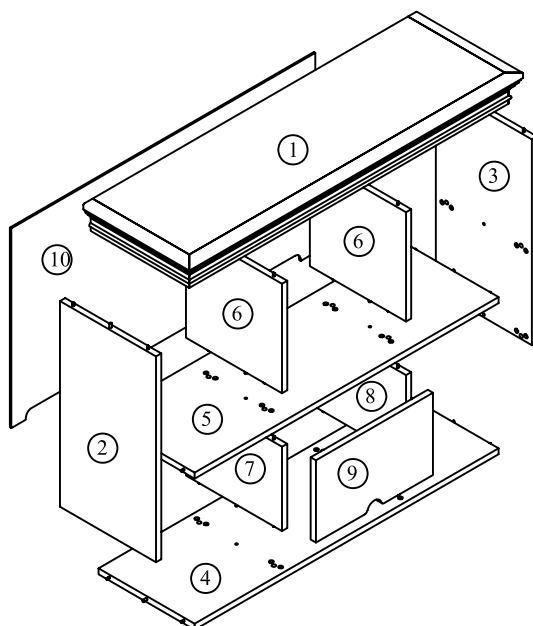
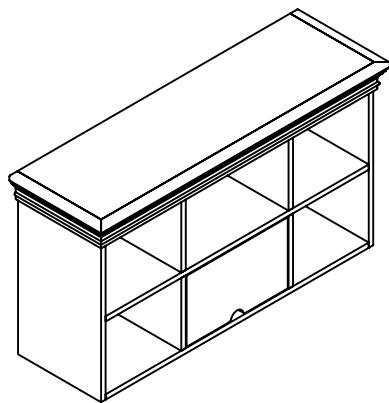


# ASSEMBLY INSTRUCTION

## #14-0105



#20401: Fork lever



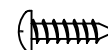
1 x #20401

#20369: Screw 3 x 15mm



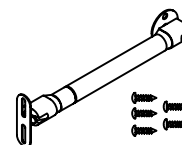
4 x #20369

#20016: Wood screw



23 x #20016

#20600



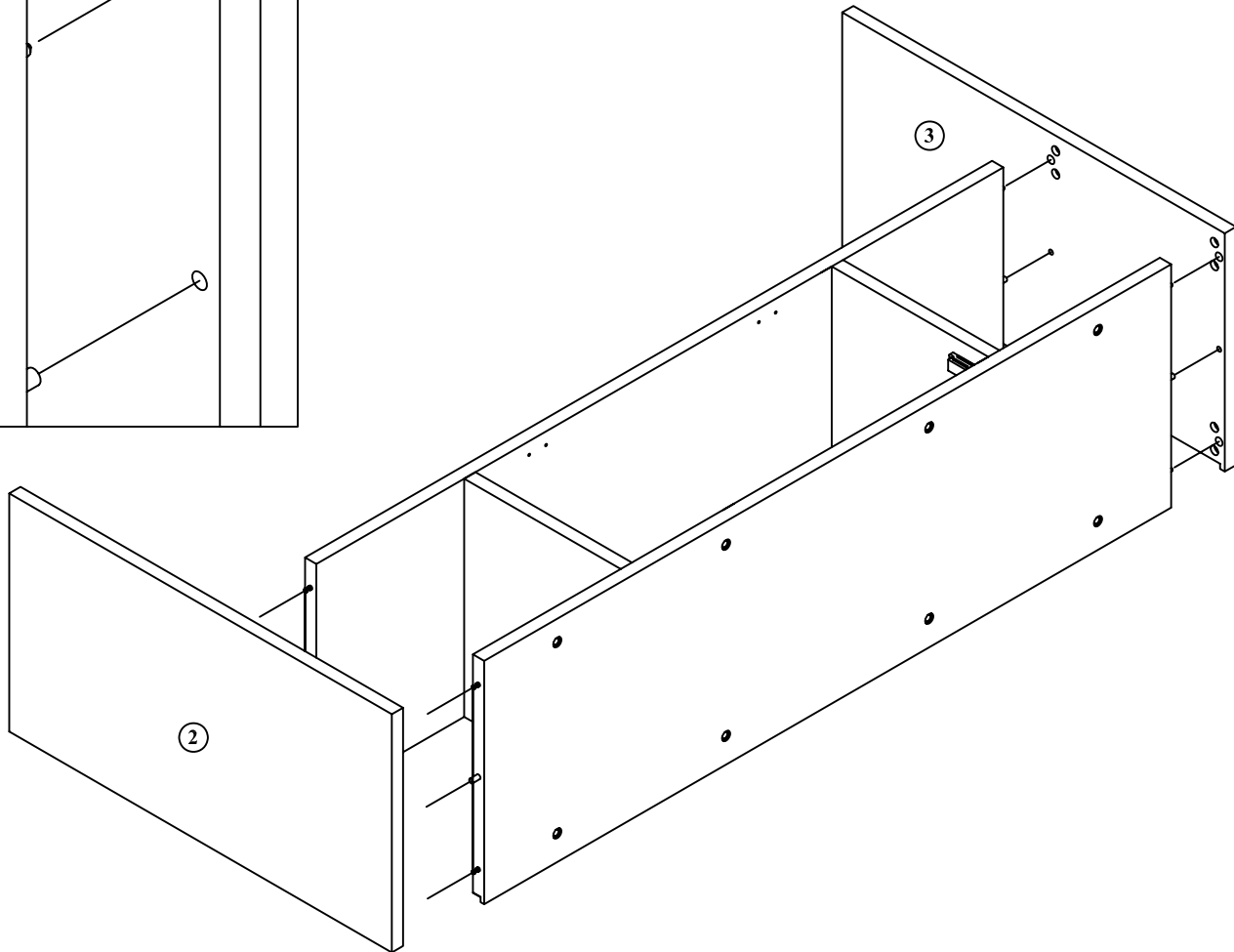
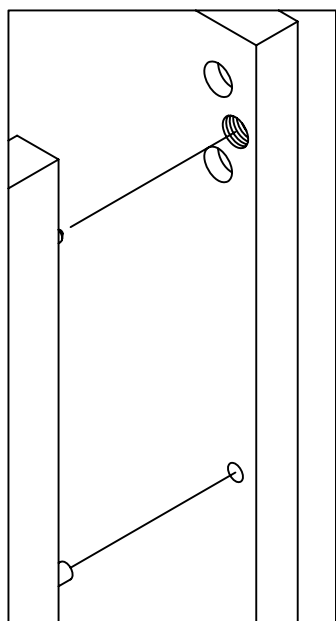
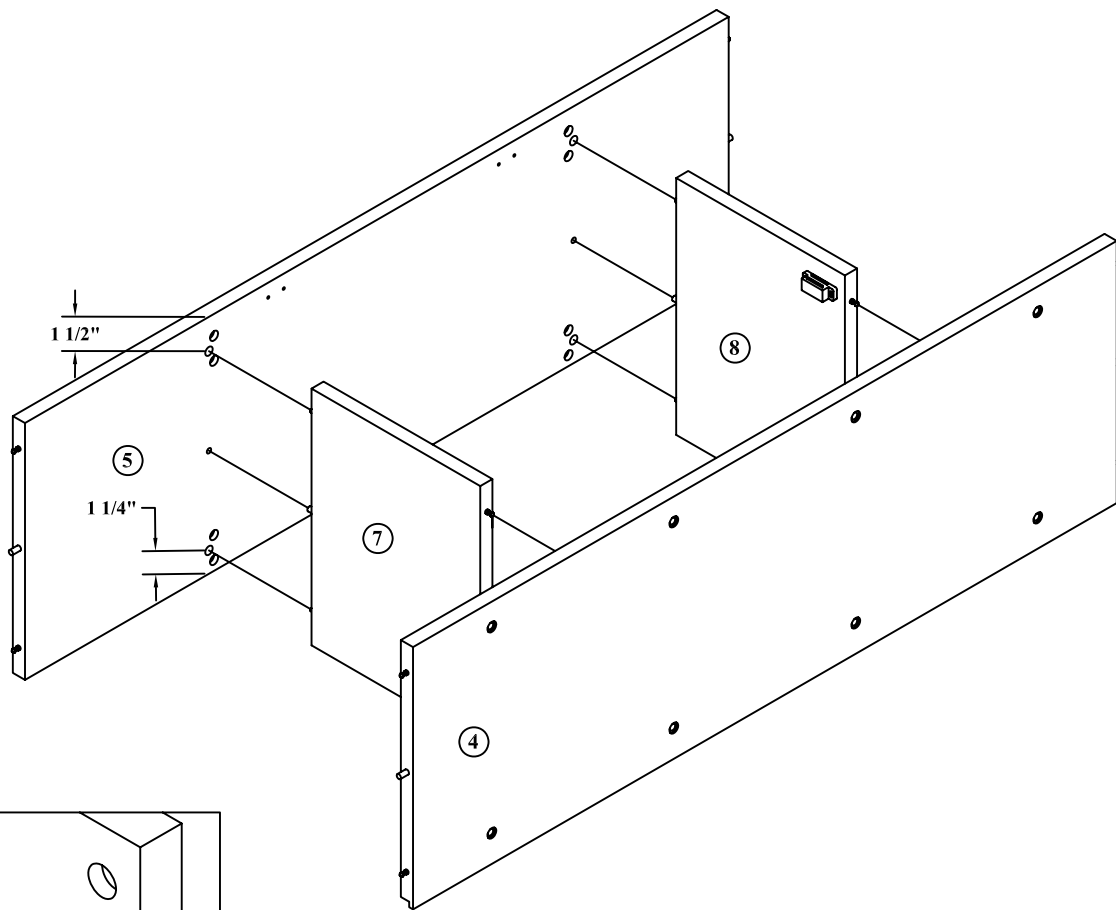
1 x #20600

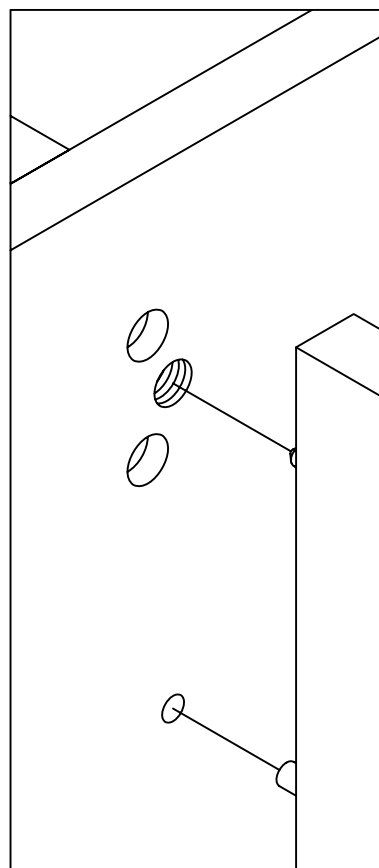
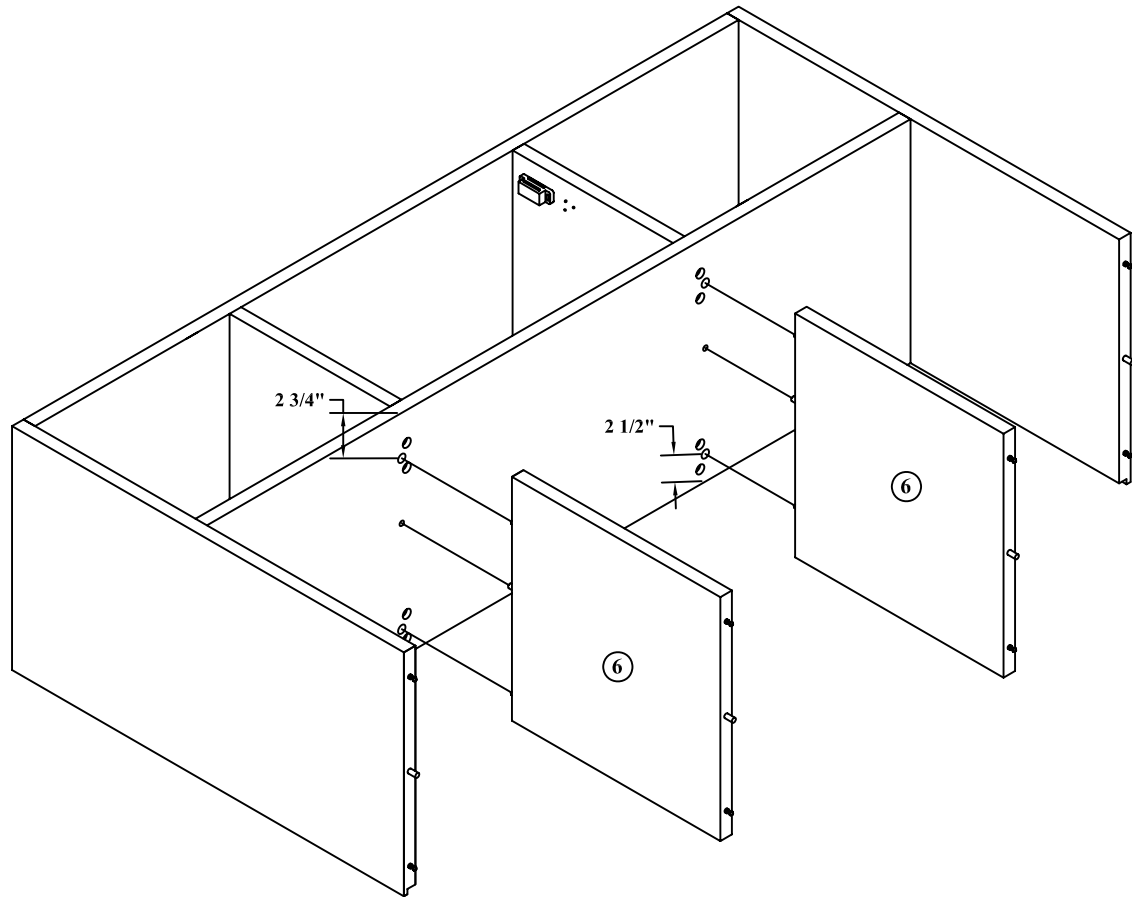
NO	DESCRIPTION	DIMENSION	QUANTITY
1	Top	45 3/4" x 14 5/8" x 3 5/8"	1
2	Left side	24 1/8" x 13" x 3/4"	1
3	Right side	24 1/8" x 13" x 3/4"	1
4	Bottom	41 1/8" x 13" x 3/4"	1
5	Permanent horizontal shelf	41 1/8" x 12 3/4" x 3/4"	1
6	Permanent vertical shelf	12 3/4" x 12 3/4" x 3/4"	2
7	Permanent vertical shelf (Left)	9 7/8' x 12 3/4" x 3/4"	1
8	Permanent vertical shelf (Right)	9 7/8' x 12 3/4" x 3/4"	1
9	Door	15 7/8" x 9 5/8" x 3/4"	1
10	Back panel	42" x 24 1/4" x 1/4 "	1

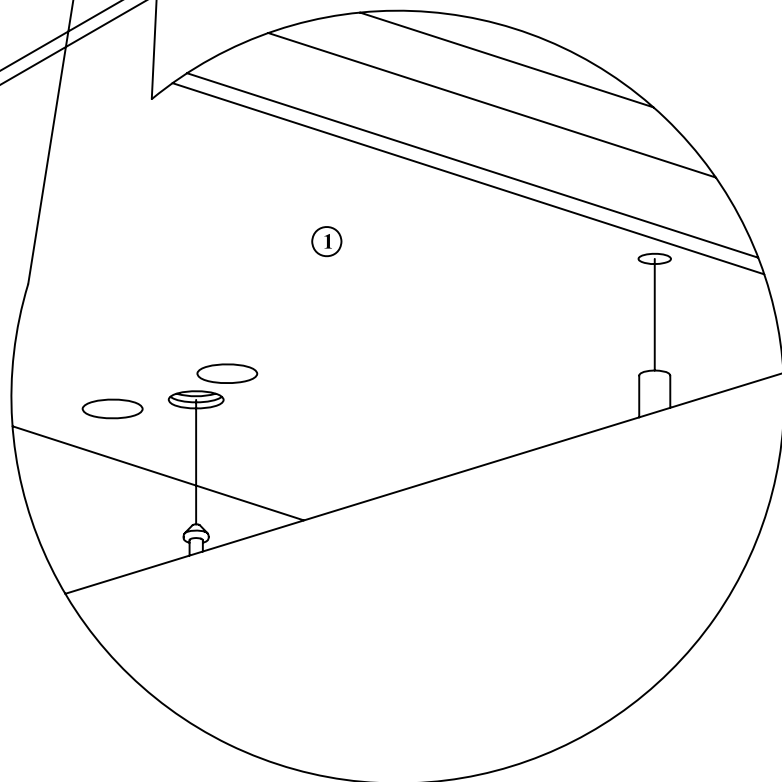
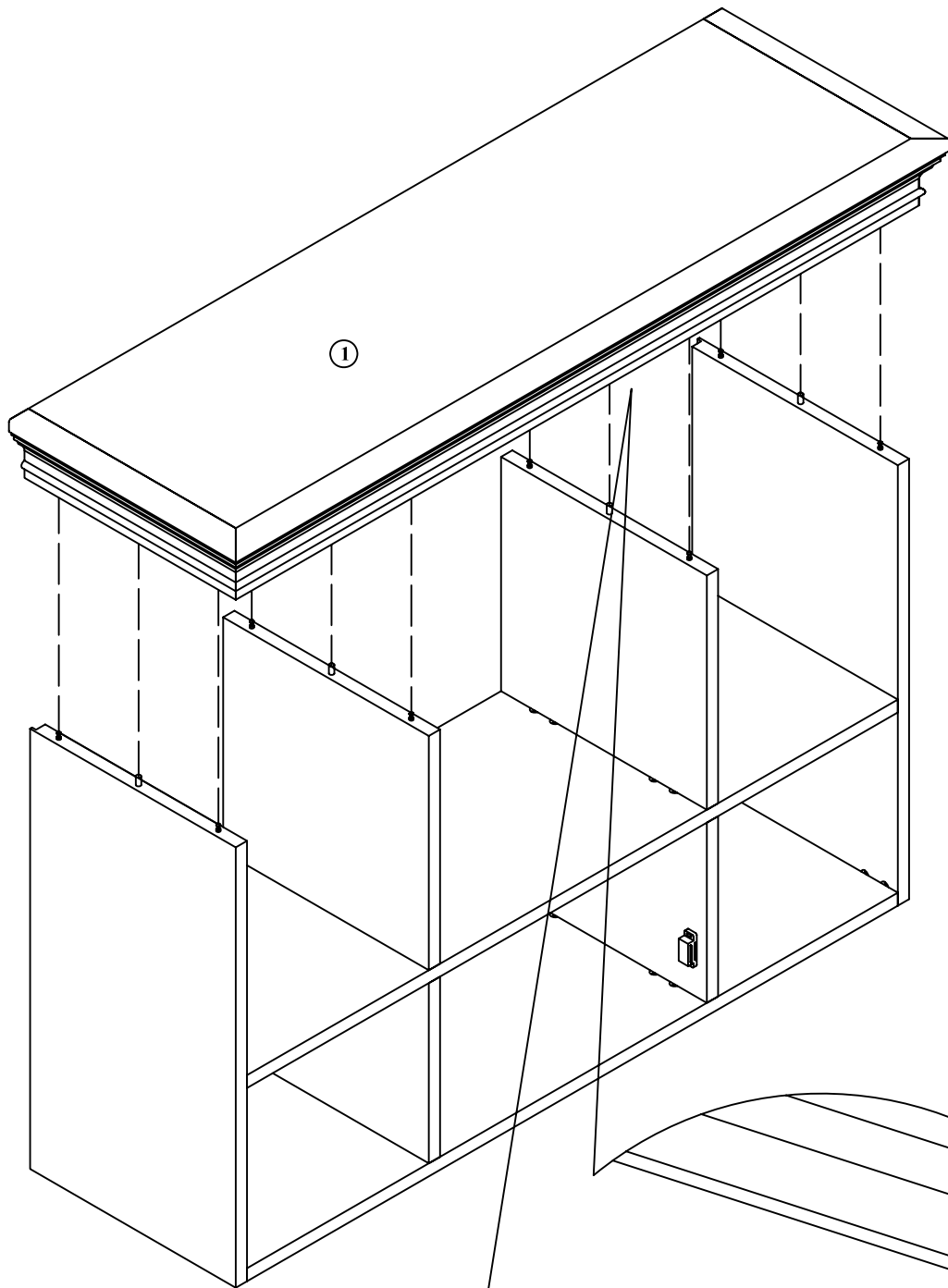
YOU WILL REQUIRE A CROSSHEAD SCREWDRIVER

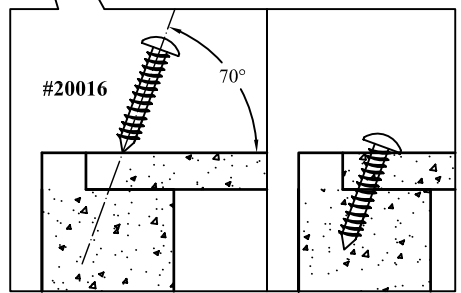
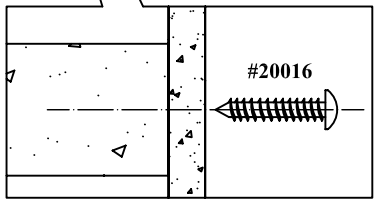
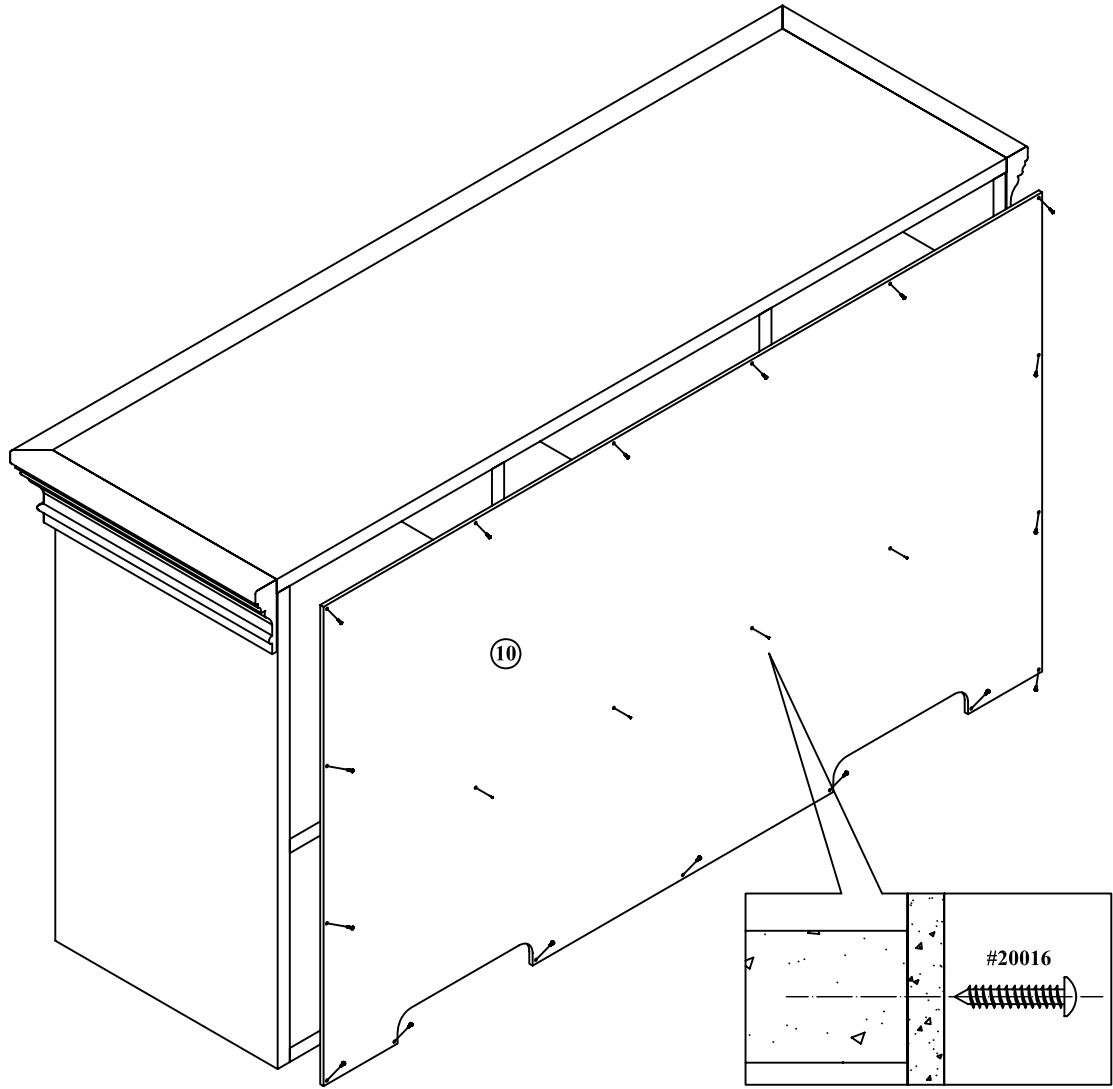
**Maxwood Furniture**

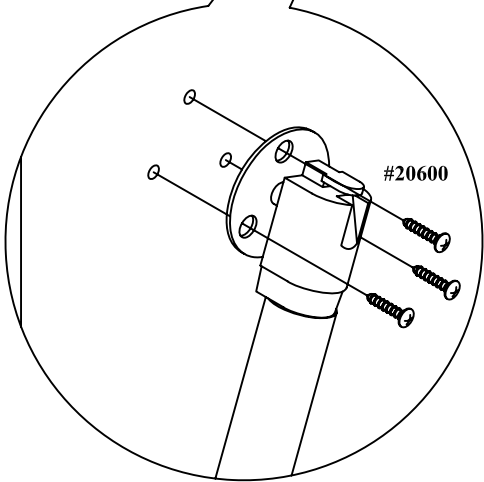
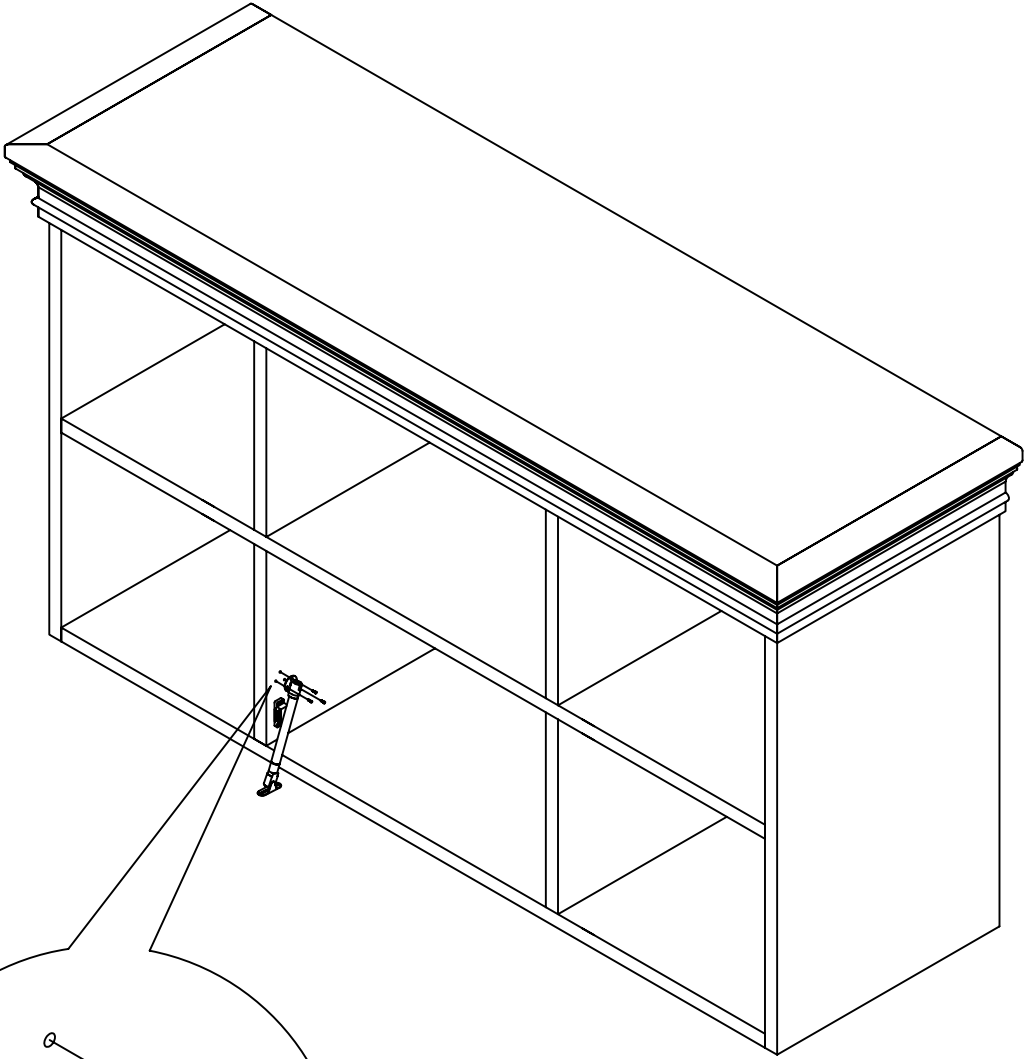
578 EAST BAY St., SUITE C, CHARLESTON SC., 29403,USA

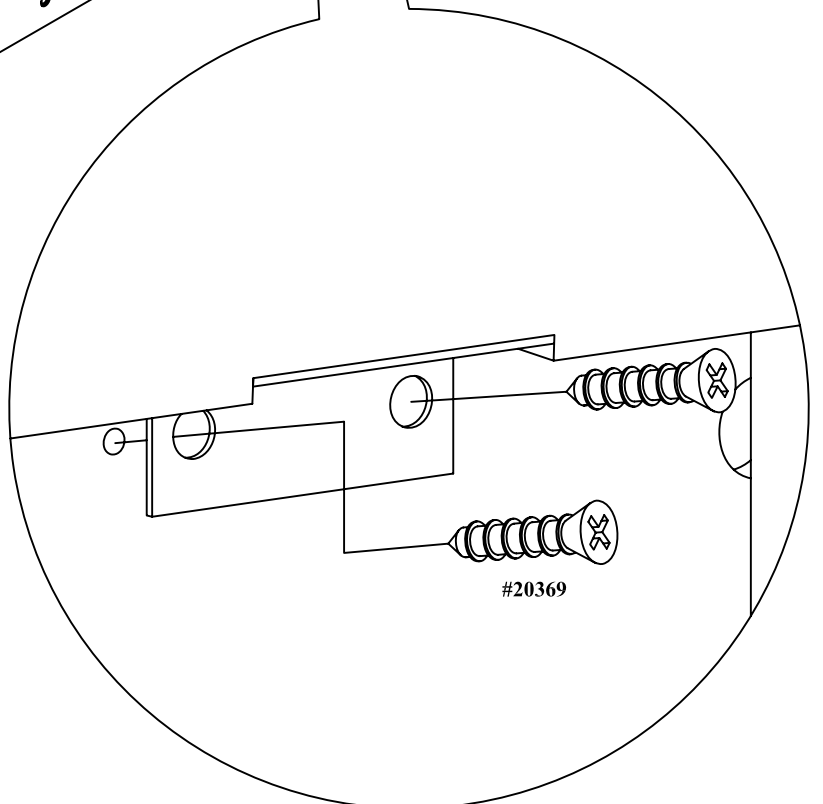
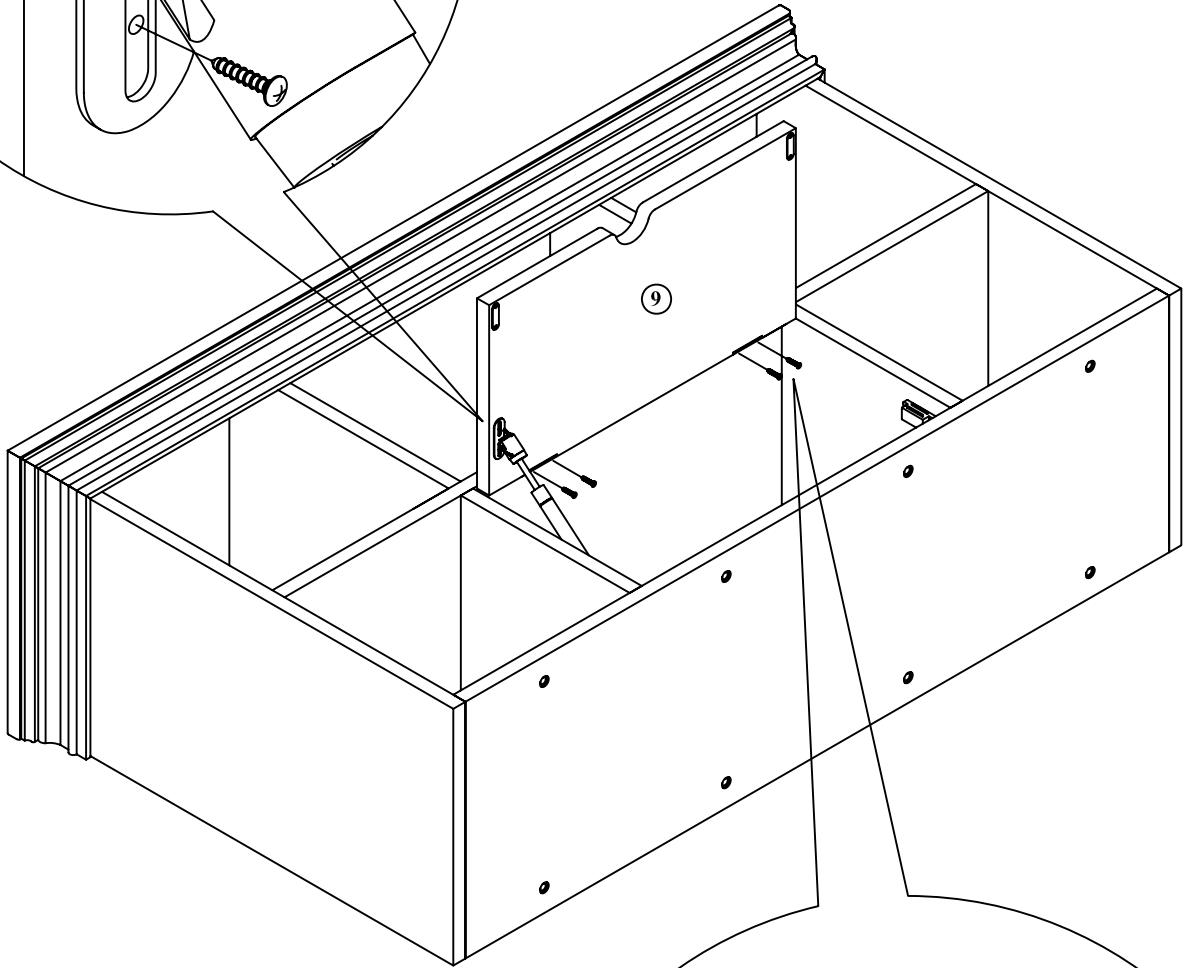
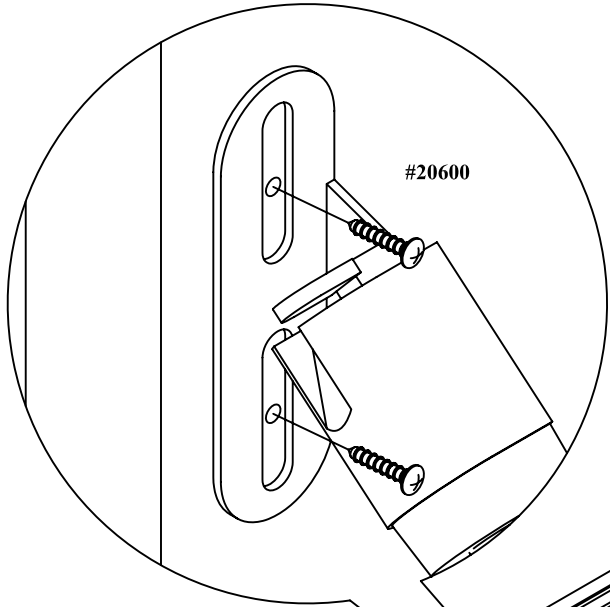












**Replacement Parts:**

Replacement Parts may be obtained from any of our dealers.

**Size of Mattress:**

This bed is designed to use a mattress 74" – 75" (188cm – 191cm) long and 37½" – 38½" (95cm – 98cm) wide (Standard Twin size).

**IMPORTANT:**

Always remember to check and tighten loose bolts or hardware every month, as these may loosen with use over time.