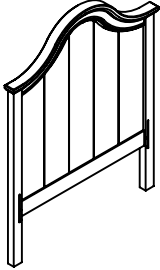
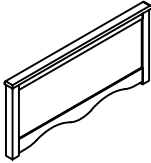

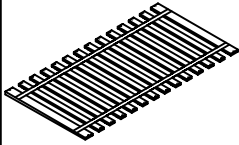





# ASSEMBLY INSTRUCTION

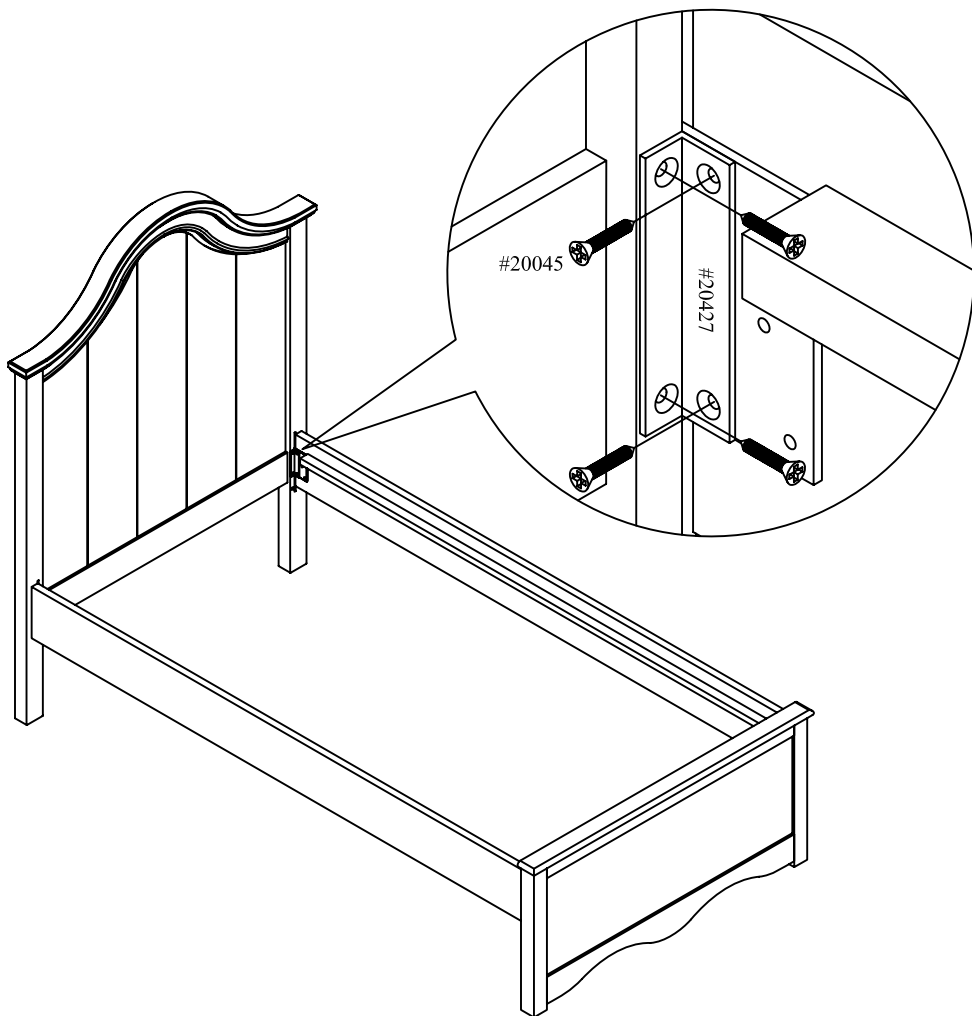
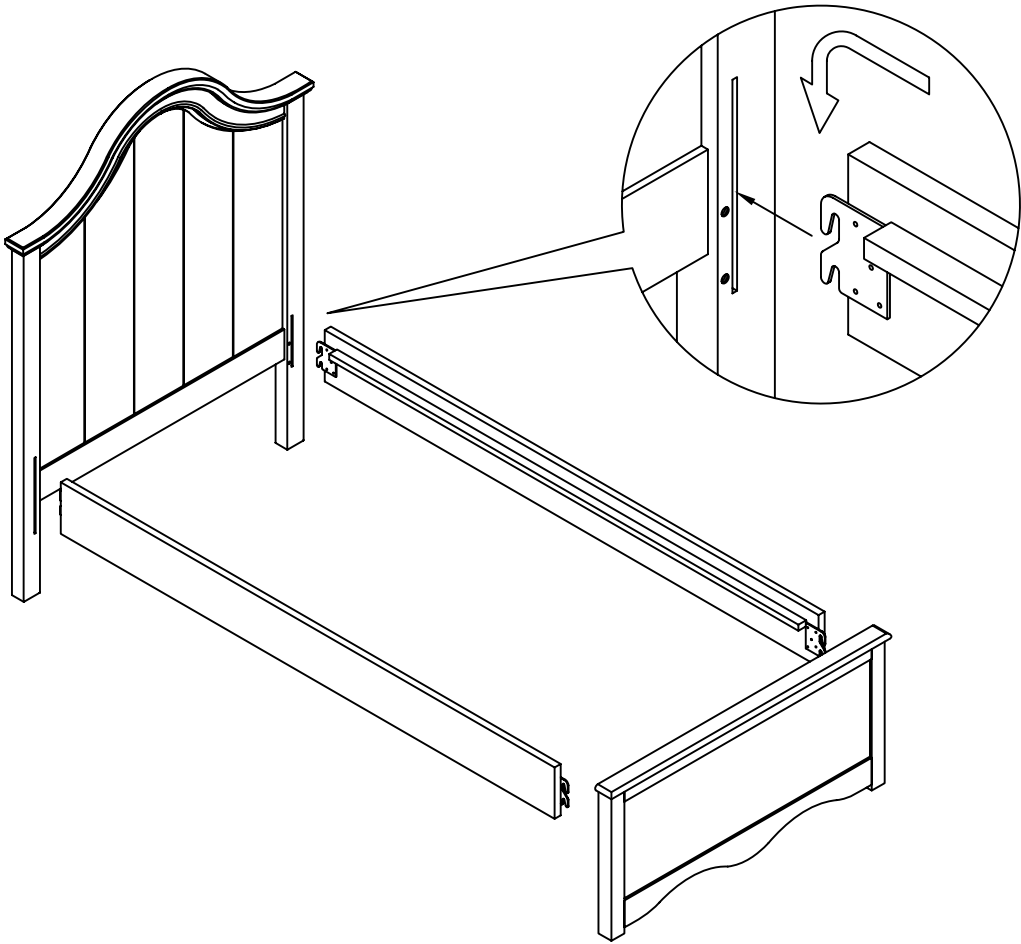
## #14-0103

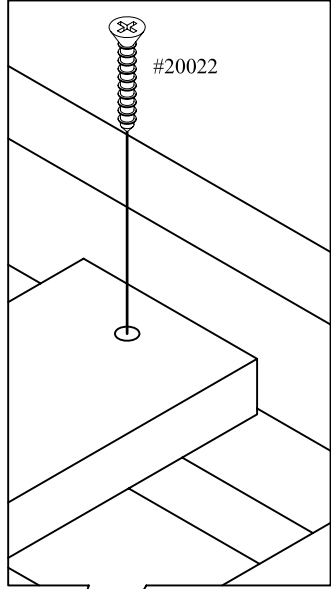
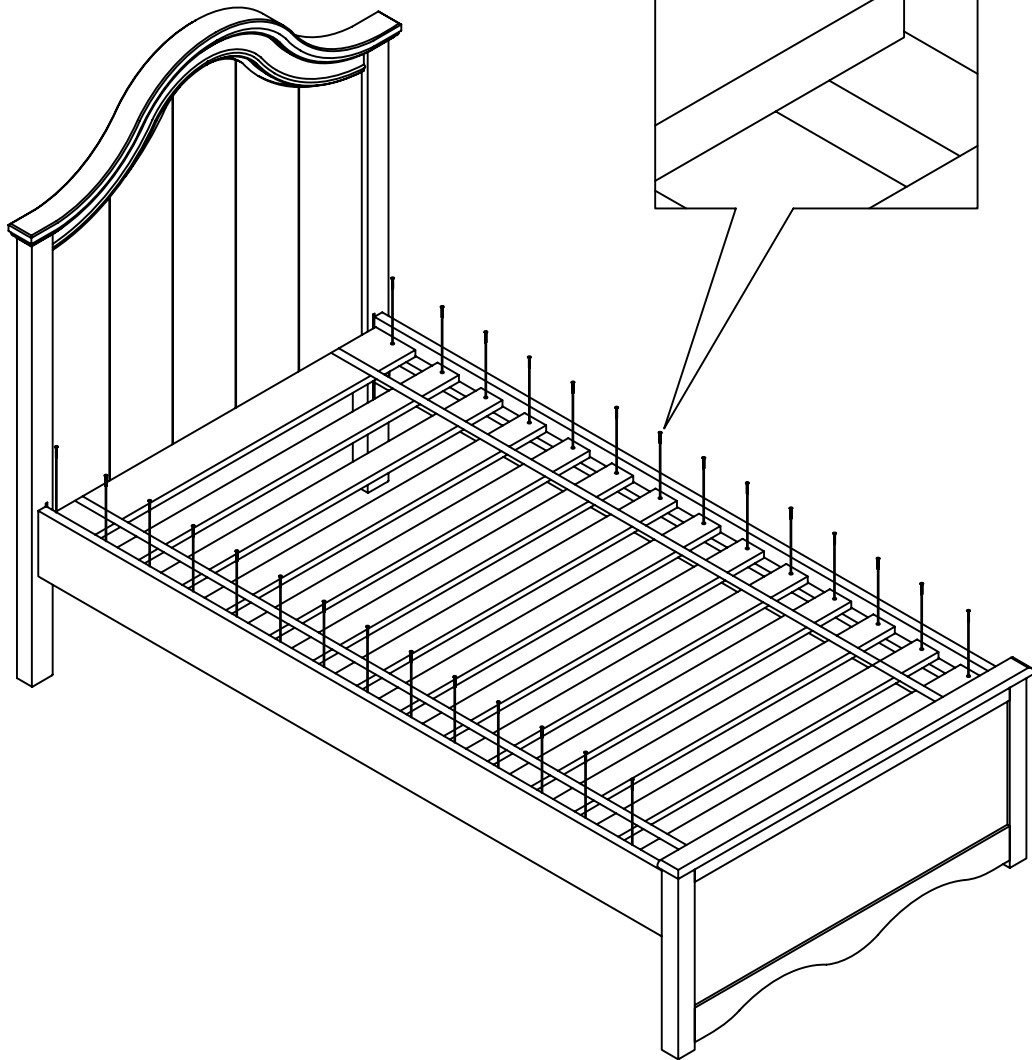
#14-0103		#14-0104		#14-0710		#14-0200	
Curve Panel Headboard	1 x #14-0103	Foot Panel	1 x #14-0104	#22087: Bed side rails	2 x #22087	Slat Roll	#14-0200 14 x slats
							
				#20427:	4 x #20427	#20022: Wood Slat Screw	28 x #20022
							
				#20045: 19mm wood screw	16 x #20045		
							



**Maxwood Furniture**

578 EAST BAY St., SUITE C, CHARLESTON SC., 29403, USA





**Replacement Parts:**

Replacement Parts may be obtained from any of our dealers.

**Size of Mattress:**

This bed is designed to use a mattress 74" – 75" (188cm – 191cm) long and 37½" – 38½" (95cm – 98cm) wide (Standard Twin size).

**IMPORTANT:**

Always remember to check and tighten loose bolts or hardware every month, as these may loosen with use over time.