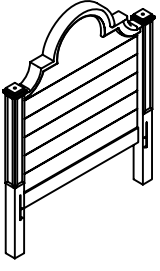
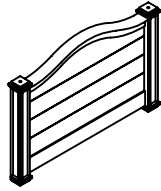
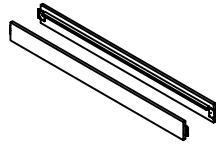
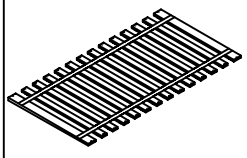
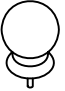



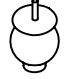
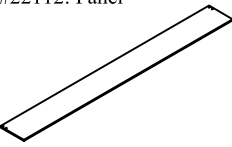


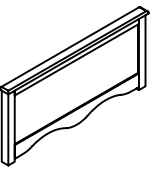


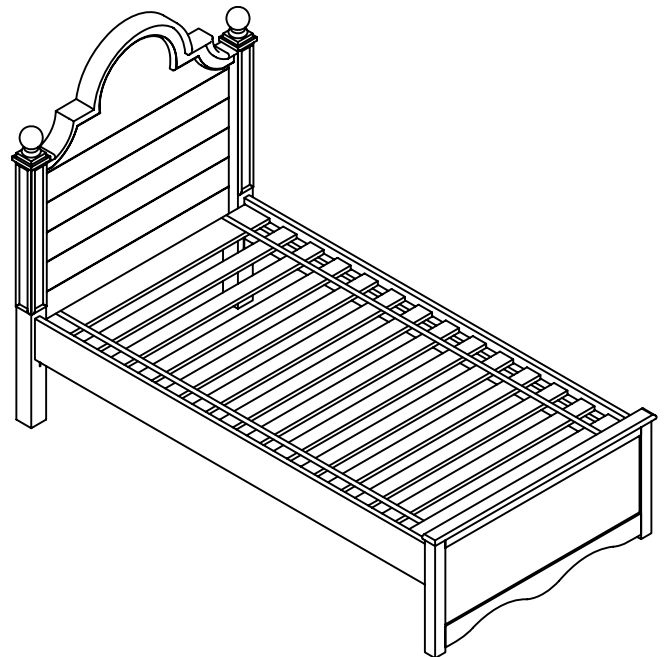
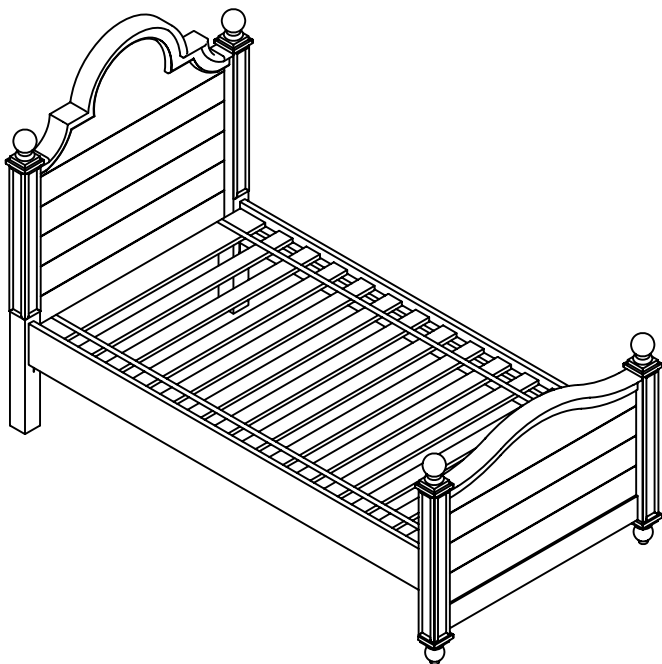
ASSEMBLY INSTRUCTION

#14-0101

#14-0101	#14-0102	#14-0710	#14-0200
Luxury Panel Headboard 	Luxury Panel Footboard 	#22087: Bed side rails 	Slat Roll 
1 x #14-0101	1 x #14-0102	2 x #22087	#14-0200 14 x slats
#22088: Round finials 	#22088: Round finials 	#20427: 	#20022: Wood Slat Screw 
2 x #22088	#22089: Round finials 	2 x #22088 2 x #22089	4 x #20427 28 x #20022
	#22112: Panel 	#20045: 19mm wood screw 	
		1 x #22112 16 x #20045	
	#20045: 19mm wood screw 		
		4 x #20045	

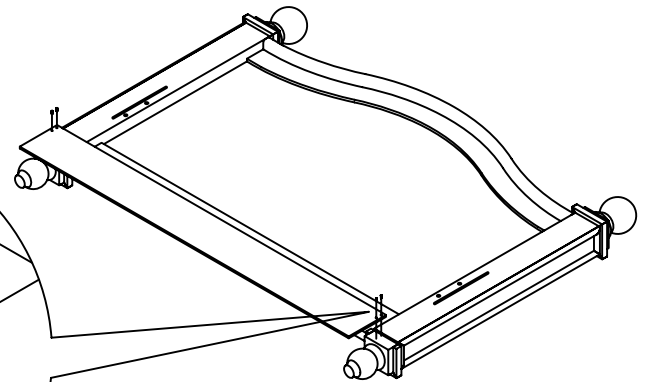
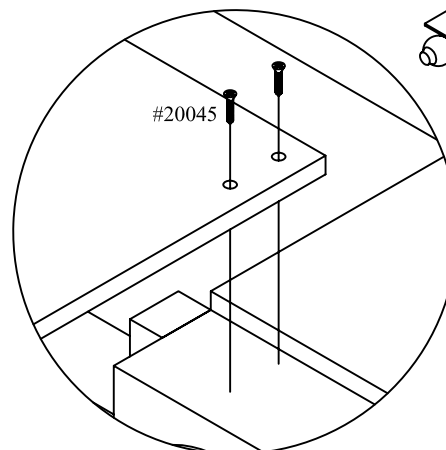
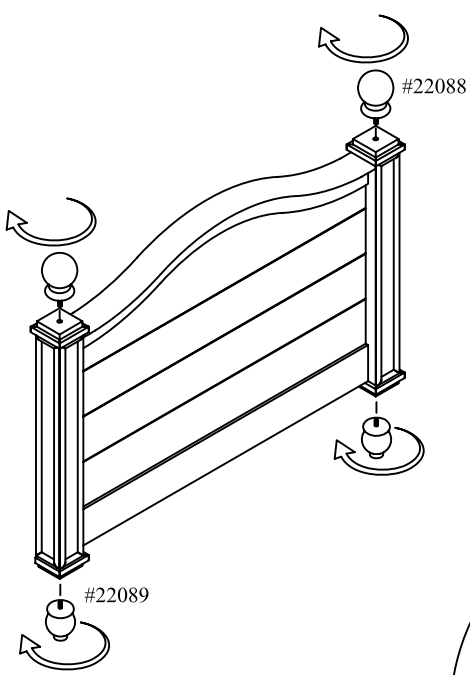
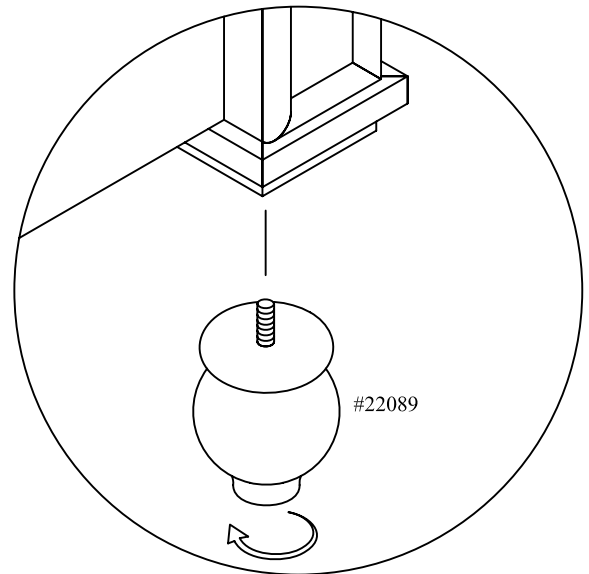
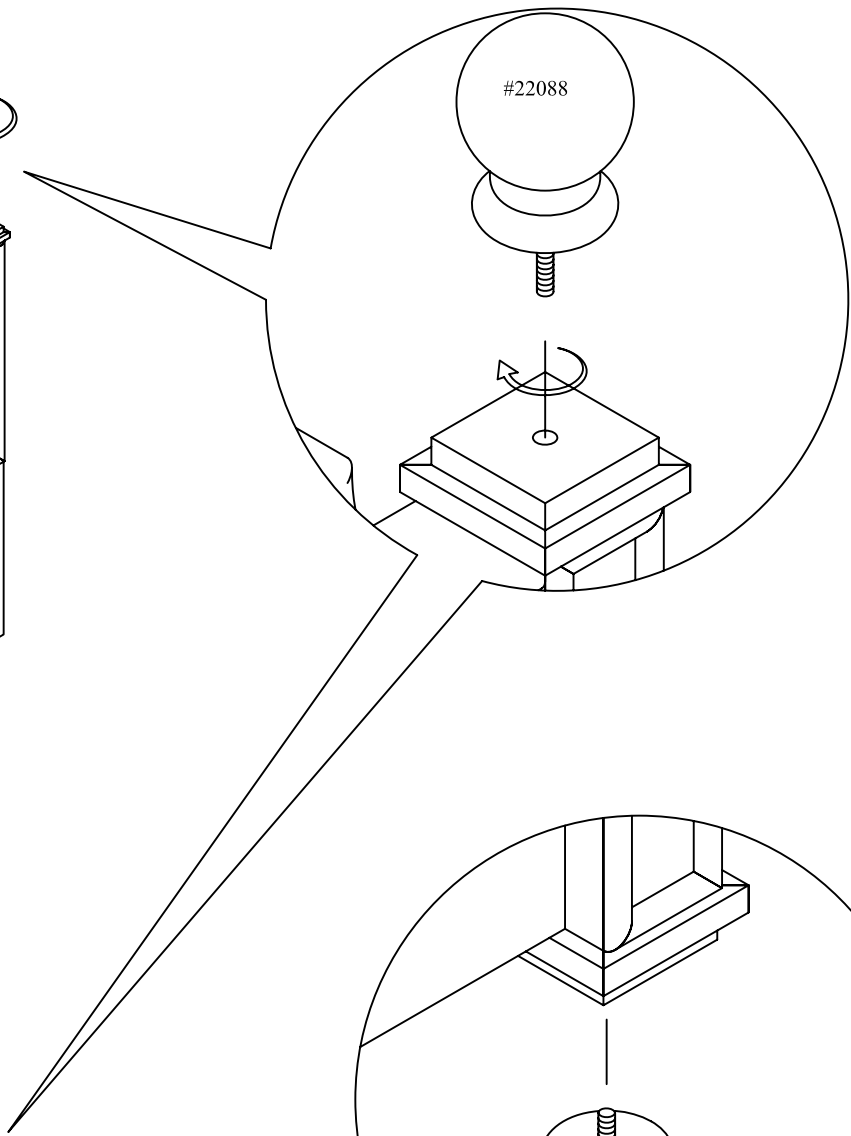
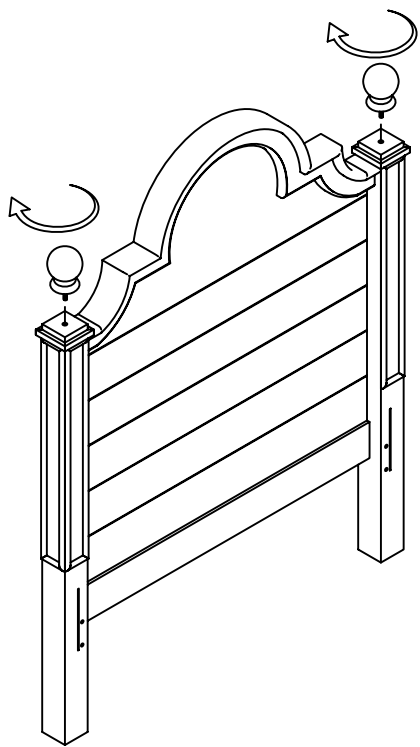
#14-0104

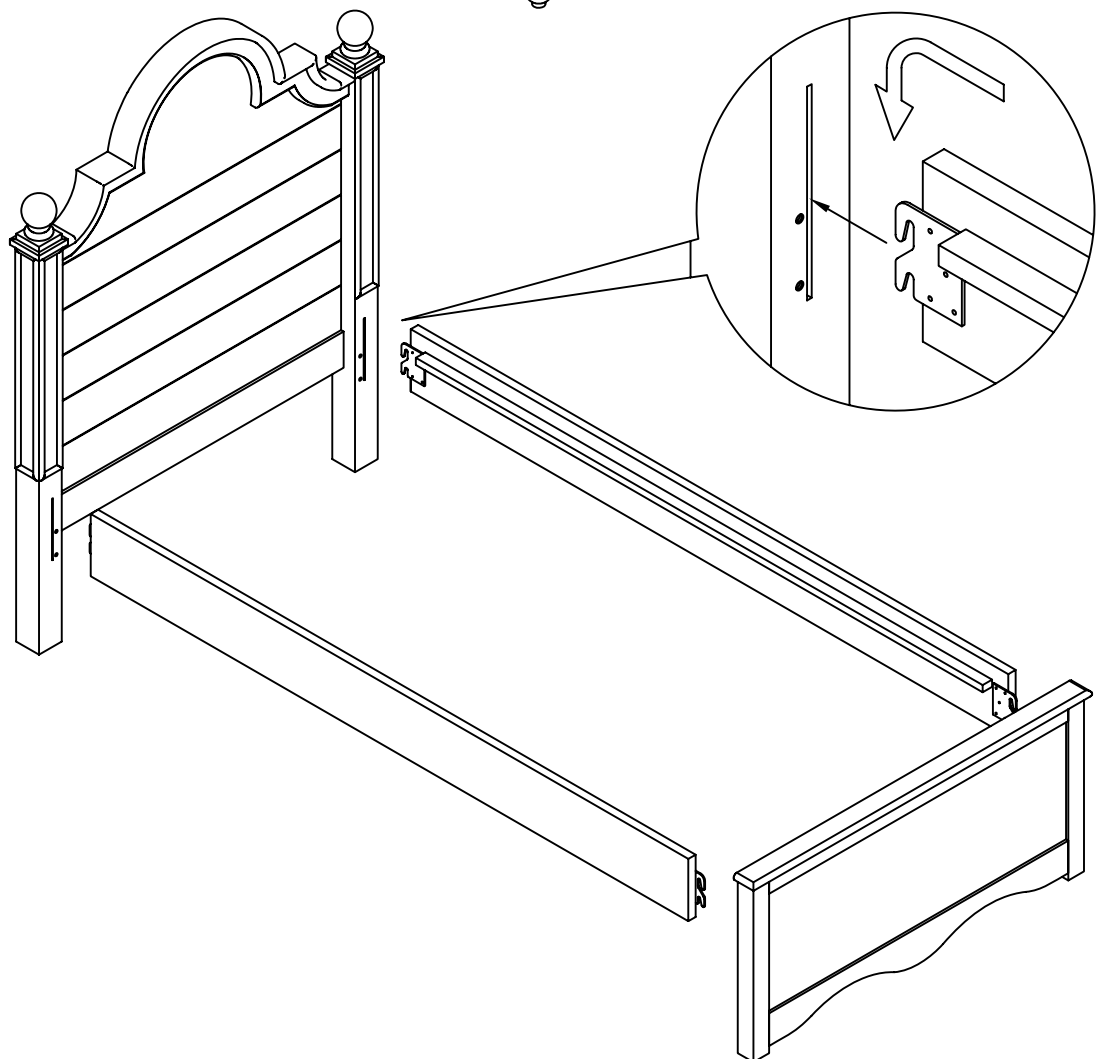
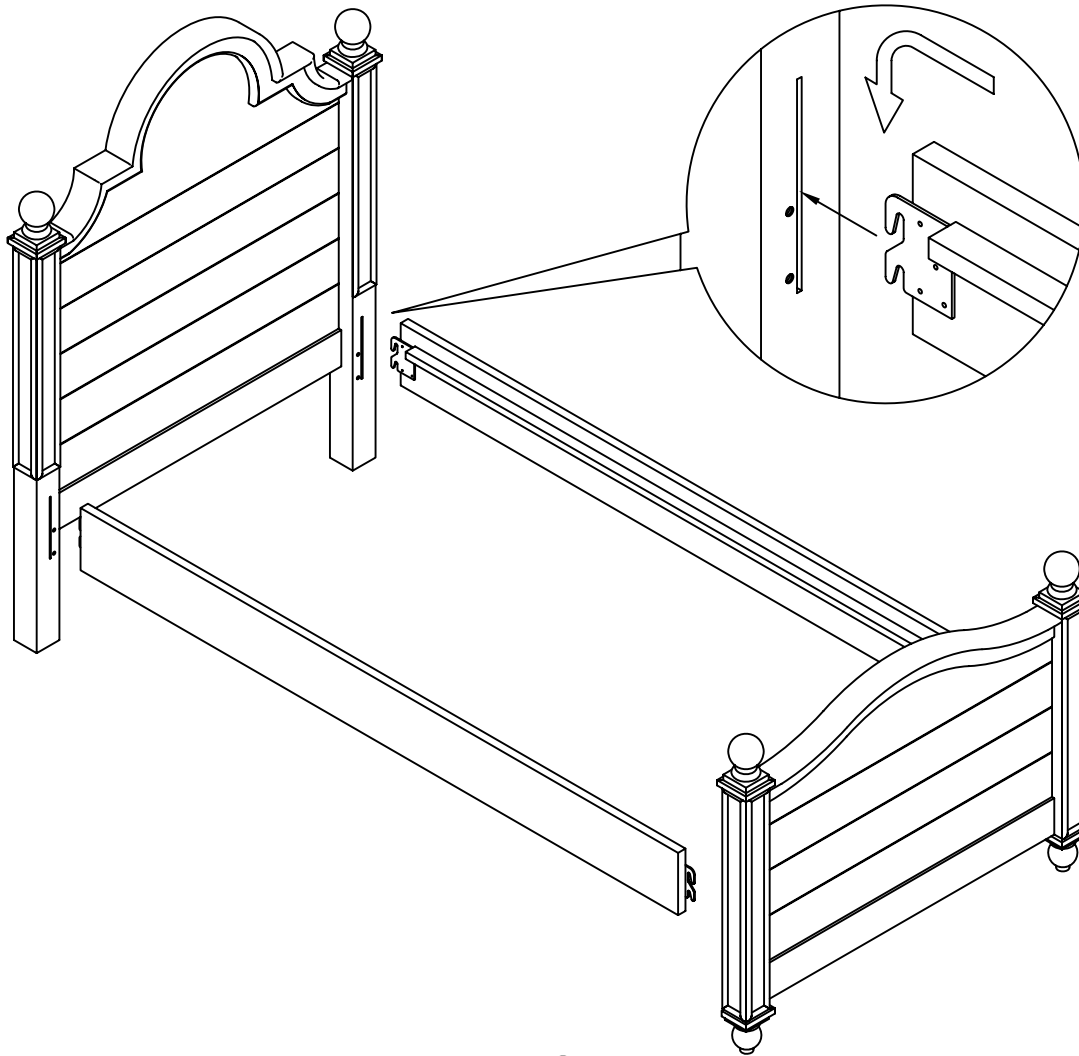
Foot Panel 	1 x #14-0104
---	--------------

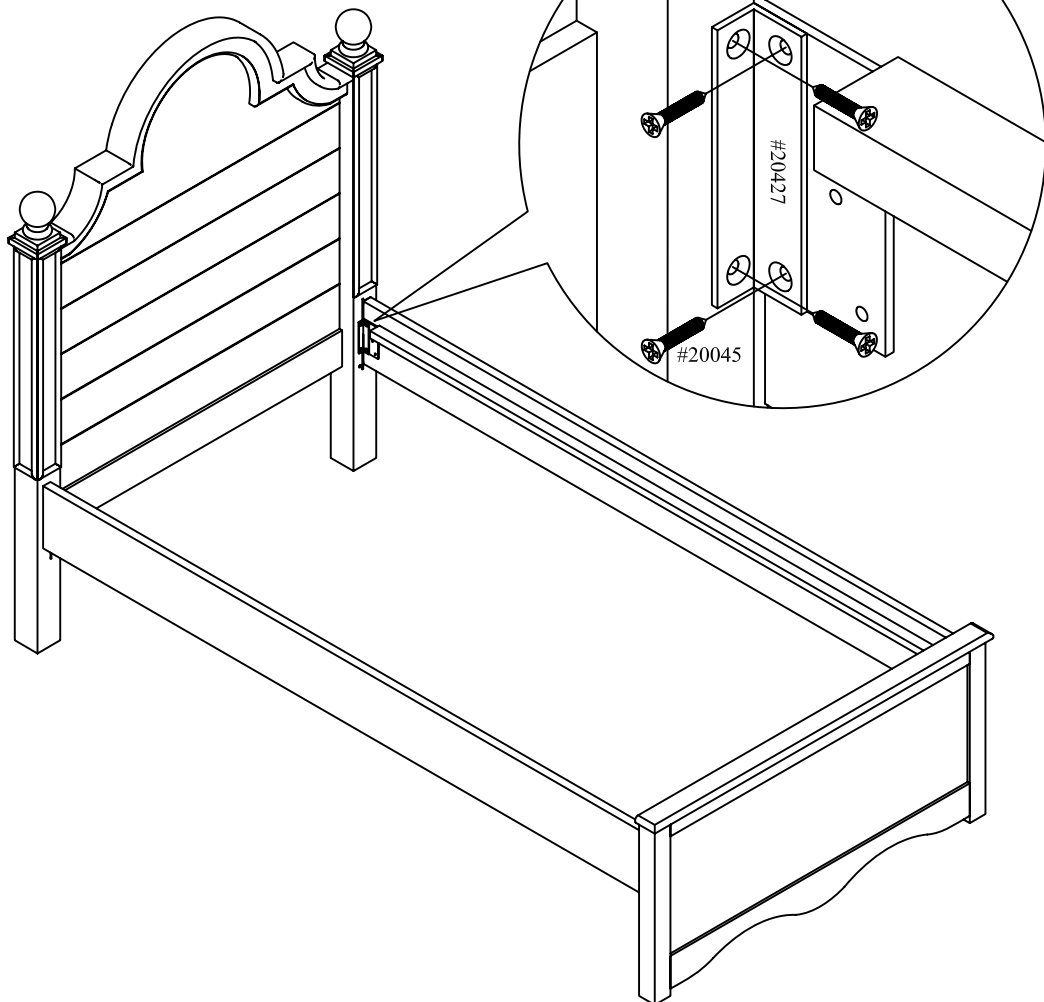
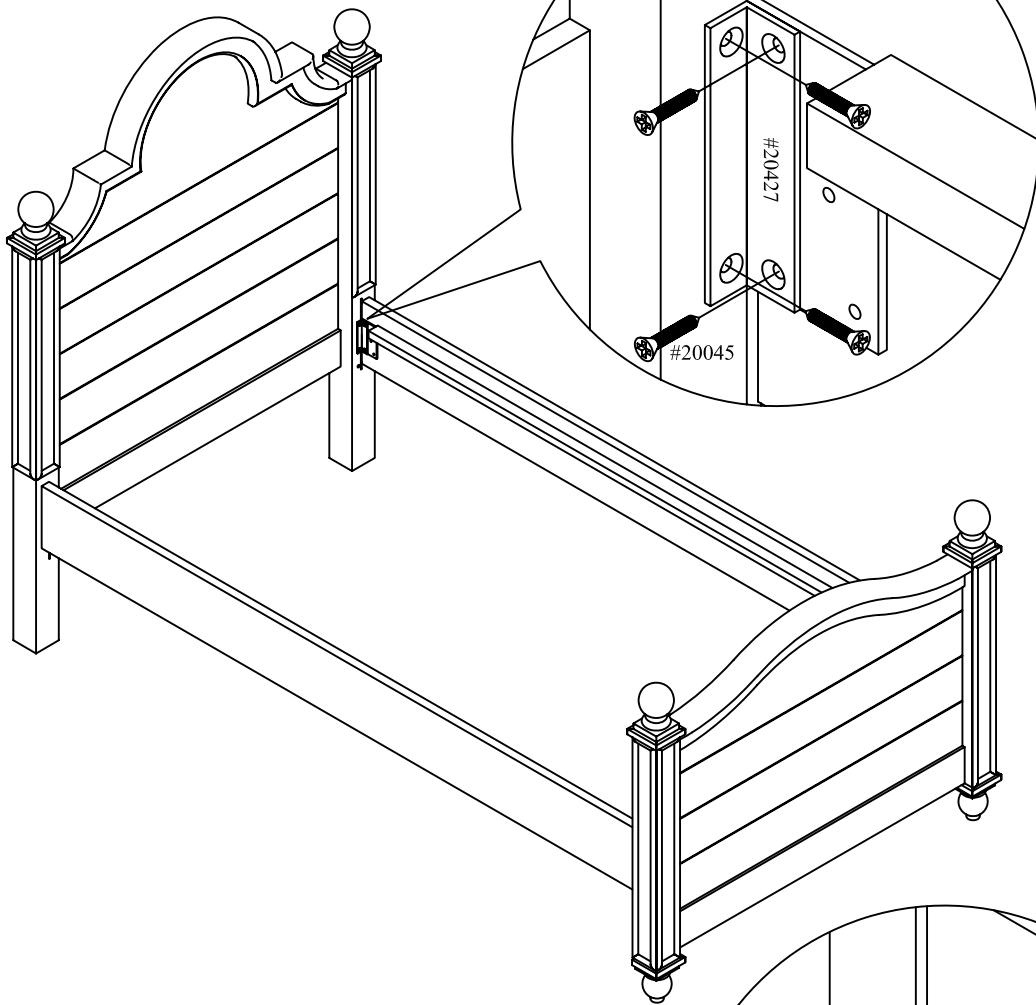


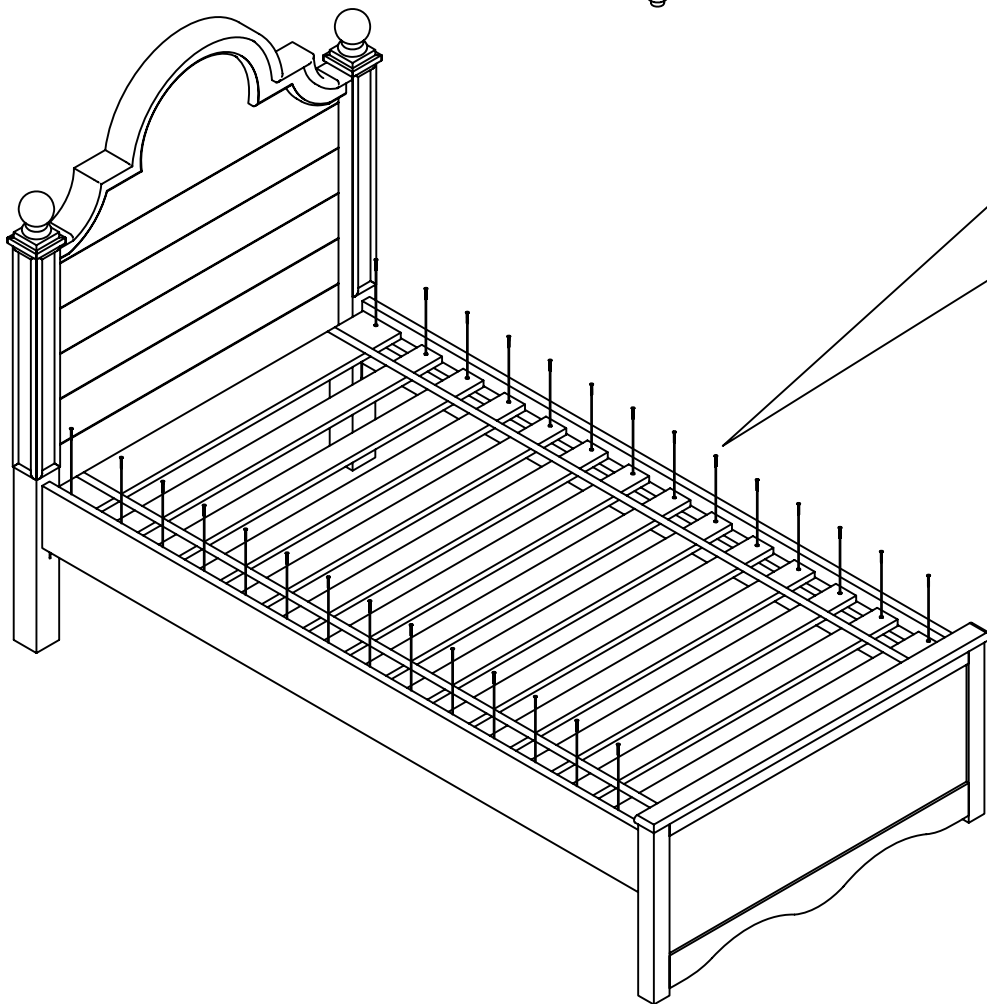
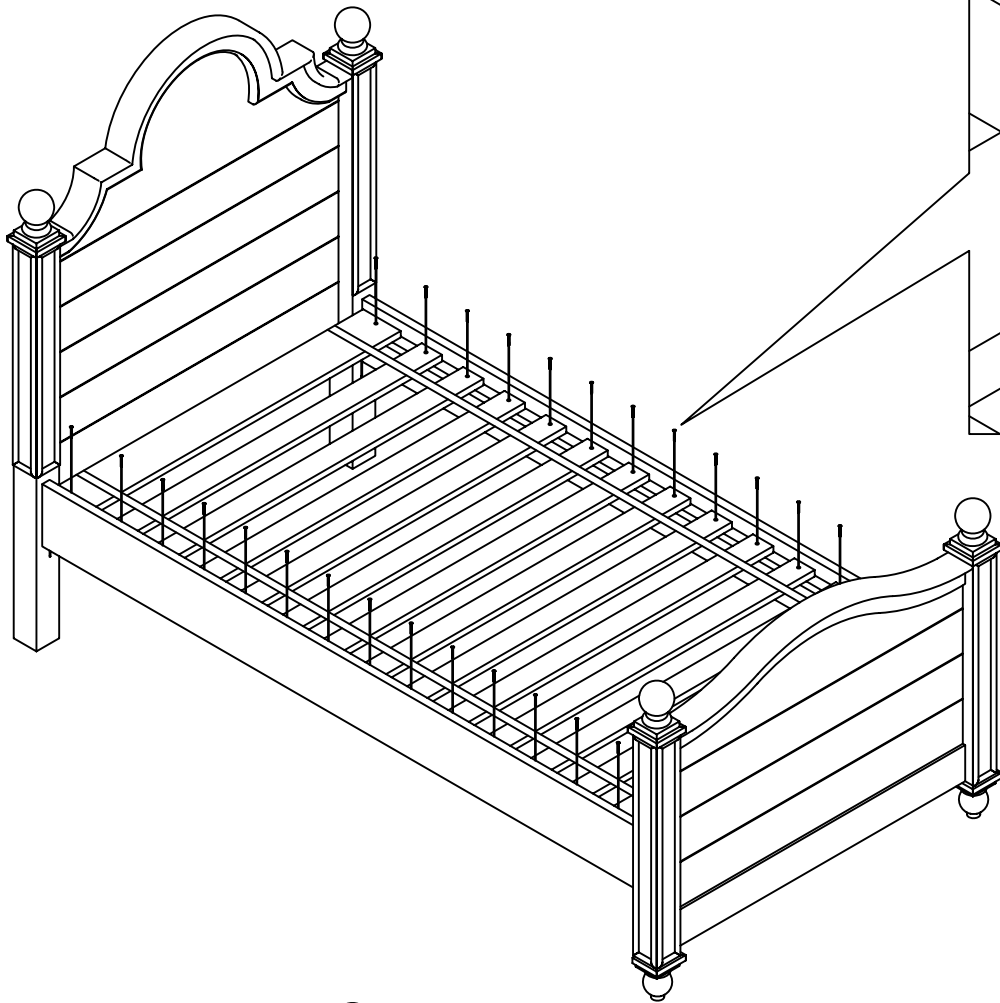
Maxwood Furniture

578 EAST BAY St., SUITE C, CHARLESTON SC., 29403, USA









Replacement Parts:

Replacement Parts may be obtained from any of our dealers.

Size of Mattress:

This bed is designed to use a mattress 74" – 75" (188cm – 191cm) long and 37½" – 38½" (95cm – 98cm) wide (Standard Twin size).

IMPORTANT:

Always remember to check and tighten loose bolts or hardware every month, as these may loosen with use over time.